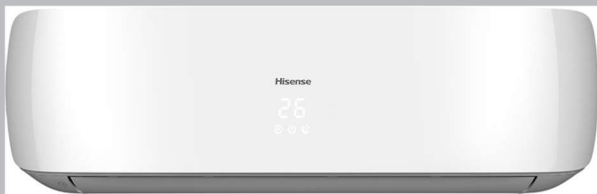

Hisense

Version: 1.3

SPLIT TYPE AIR CONDITIONER

SERVICE MANUAL



Hisense Corporation

MODEL:

Note: " ** " mean code of Front Panel (See in 3-1 .Product Pictures).

AS-09UR4RYD**01	AS-12UR4RYD**01	AST-18UW4RXA**00	AST-24UW4RBB**00
AST-09UW4RVE**00	AST-12UW4RVE**00	AST-18UR4RXA**00	AST-24UW4RBB**00B
AST-09UW4RVE**00A	AST-12UW4RVE**00A	AST-18UW4RXA**00A	AST-24UW4RDB**00A
AST-09UW4RXX**00A	AST-12UW4RXX**00A	AST-18UW4RBA**00A	
AST-09UW4RXE**00B	AST-12UW4RXE**00B		

Contents

1. Safety Considerations	4
2. Product Specifications	12
3. Product Picture and Drawing	22
3-1. Product Pictures	22
3-2. Product dimensions	25
4. Installation Instruction	28
4-1. Installation Place and Condition	28
4-2. Electric Wiring Diagram.....	30
4-3. Refrigerant Flow System	41
4-4. Air Purging and Leakage Test.....	42
4-5. Test Running	43
5. Function Operation	44
5-1. Operation Range (cooling and heating)	44
5-2. Remote Controller Operation & Function.....	44
5-3. Special Function Fnstruction	54
5-4. Performance Data.....	56
6. Electrical Characteristics.....	58
6-1. Print Circuit Board (Indoor & Outdoor)	58
6-2. Fan Motor	74
6-3. Temperature Sensor	75
6-4. Compressor	79
6-5. Electric Reactor.....	79
6-6. Access Control, Fire Protection, ON/OFF.....	80
6-7. Wiring Remote Controller	81
7.Trouble Shooting.....	82
7-1. Error Code Table	82
7-2. Test the jumper terminals.....	94
7-3. Trouble Diagnosis of Protection	94
7-4. Trouble Diagnosis of Compressor	96
7-5. Trouble Diagnosis of Electric Filter Board.....	96
7-6. Trouble Diagnosis of Electric Communication.....	96

1. Safety Considerations

IMPORTANT!

Please Read Before Starting

This air conditioning system meets strict safety and operating standards. As the installer or service person, it is an important part of your job to install or service the system, so it operates safely and efficiently.

For safe installation and trouble-free operation, you must:

- Carefully read this instruction booklet before beginning.
- Follow each installation or repair step exactly as shown.
- Observe all local, state, and national electrical codes.
- Pay close attention to all warning and caution notices given in this manual.



WARNING

This symbol refers to a hazard or unsafe practice which can result in severe personal injury or death.



CAUTION

This symbol refers to a hazard or unsafe practice which can result in personal injury or product or property damage.

If Necessary, Get Help

These instructions are all you need for most installation sites and maintenance conditions. If you require help for a special problem, contact our sales/service outlet or your certified dealer for additional instructions.

In Case of Improper Installation

The manufacturer shall in no way be responsible for improper installation or maintenance service, including failure to follow the instructions in this document.

SPECIAL PRECAUTIONS

When Wiring

WARNING



ELECTRICAL SHOCK CAN CAUSE SEVERE PERSONAL INJURY OR DEATH. ONLY A QUALIFIED, EXPERIENCED ELECTRICIAN SHOULD ATTEMPT TO WIRE THIS SYSTEM.

- Do not supply power to the unit until all wiring and tubing are completed or reconnected and checked.
- Highly dangerous electrical voltages are used in this system. Carefully refer to the wiring diagram and these instructions when wiring. Improper connections and inadequate grounding can cause accidental injury or death.
- Ground the unit following local electrical codes.
- Connect all wiring tightly. Loose wiring may cause overheating at connection points and a possible

fire hazard.

When Transporting

Be careful when picking up and moving the indoor and outdoor units. Get a partner to help, and bend your knees when lifting to reduce strain on your back. Sharp edges or thin aluminum fins on the air conditioner can cut your fingers.

When Installing

● **In a Ceiling or Wall**

Make sure the ceiling/wall is strong enough to hold the unit's weight. It may be necessary to construct a strong wood or metal frame to provide added support.

● **In a Room**

Properly insulate any tubing run inside a room to prevent "sweating" that can cause dripping and water damage to walls and floors.

● **In Moist or Uneven Locations**

Use a raised concrete pad or concrete blocks to provide a solid, level foundation for the outdoor unit. This prevents water damage and abnormal vibration.

● **In an Area with High Winds**

Securely anchor the outdoor unit down with bolts and a metal frame. Provide a suitable air baffle.

● **In a Snowy Area (for Heat Pump-type Systems)**

Install the outdoor unit on a raised platform that is higher than drifting snow. Provide snow vents.

When Connecting Refrigerant Tubing

△ Use the flare method for connecting tubing.

△ Apply refrigerant lubricant to the matching surfaces of the flare and union tubes before connecting them, then tighten the nut with a torque wrench for a leak free connection.

△ Check carefully for leaks before starting the test run.

When Servicing

△ Turn the power OFF at the main power box (mains) before opening the unit to check or repair electrical parts and wiring.

△ Keep your fingers and clothing away from any moving parts.

△ Clean up the site after you finish, remembering to check that no metal scraps or bits of wiring have been left inside the unit being serviced.

Others



△ Ventilate any enclosed areas when installing or testing the refrigeration system. Escaped refrigerant gas, on contact with fire or heat, can produce dangerously toxic gas.

△ Confirm upon completing installation that no refrigerant gas is leaking. If escaped gas comes in contact with a stove, gas water heater, electric room heater or other heat source, it can produce dangerously toxic gas.

NOTE:

The figure, size and parameter of the product may not be identical with the service manual, please take the actual product as the standard.

Precautions for using R32 refrigerant

The basic installation work procedures are the same as the conventional refrigerant (R22 or R410A). However, pay attention to the following points:

1. Transport of equipment containing flammable refrigerants Compliance with the transport

regulations

2. Marking of equipment using signs Compliance with local regulations
3. Disposal of equipment using flammable refrigerants Compliance with national regulations
4. Storage of equipment/appliances The storage of equipment should be in accordance with the manufacturer's instructions.
5. Storage of packed (unsold) equipment Storage package protection should be constructed such that mechanical damage to the equipment inside the package will not cause a leak of the refrigerant charge.

The maximum number of pieces of equipment permitted to be stored together will be determined by local regulations.

6. Information on servicing

6-1 Checks to the area

Prior to beginning work on systems containing flammable refrigerants, safety checks are necessary to ensure that the risk of ignition is minimised. For repair to the refrigerating system, the following precautions shall be complied with prior to conducting work on the system.

6-2 Work procedure

Work shall be undertaken under a controlled procedure so as to minimise the risk of flammable gas or vapour being present while the work is being performed.

6-3 General work area

All maintenance staff and others working in the local area shall be instructed on the nature of work being carried out. Work in confined spaces shall be avoided.

The area around the workspace shall be sectioned off. Ensure that the conditions within the area have been made safe by control of flammable material.

6-4 Checking for presence of refrigerant

The area shall be checked with an appropriate refrigerant detector prior to and during work, to ensure the technician is aware of potentially flammable atmospheres.

Ensure that the leak detection equipment being used is suitable for use with flammable refrigerants, i.e. non-sparking, adequately sealed or intrinsically safe.

6-5 Presence of fire extinguisher

If any hot work is to be conducted on the refrigeration equipment or any associated parts, appropriate fire extinguishing equipment shall be available to hand.

Have a dry powder or CO₂ fire extinguisher adjacent to the charging area.

6-6 No ignition sources

No person carrying out work in relation to a refrigeration system which involves exposing any pipe work that contains or has contained flammable refrigerant shall use any sources of ignition in such a manner that it may lead to the risk of fire or explosion.

All possible ignition sources, including cigarette smoking, should be kept sufficiently far away from the site of installation, repairing, removing and disposal, during which flammable refrigerant can possibly be released to the surrounding space.

Prior to work taking place, the area around the equipment is to be surveyed to make sure that there are no flammable hazards or ignition risks. "No Smoking" signs shall be displayed.

6-7 Ventilated area

Ensure that the area is in the open or that it is adequately ventilated before breaking into the system or conducting any hot work.

A degree of ventilation shall continue during the period that the work is carried out.

The ventilation should safely disperse any released refrigerant and preferably expel it externally into the atmosphere.

6-8 Checks to the refrigeration equipment

Where electrical components are being changed, they shall be fit for the purpose and to the correct specification.

At all times the manufacturer's maintenance and service guidelines shall be followed. If in doubt consult the manufacturer's technical department for assistance.

The following checks shall be applied to installations using flammable refrigerants:

- The charge size is in accordance with the room size within which the refrigerant containing parts are installed;
- The ventilation machinery and outlets are operating adequately and are not obstructed;
- If an indirect refrigerating circuit is being used, the secondary circuit shall be checked for the presence of refrigerant;
- Marking to the equipment continues to be visible and legible. Markings and signs that are illegible shall be corrected;
- Refrigeration pipe or components are installed in a position where they are unlikely to be exposed to any substance which may corrode refrigerant containing components, unless the components are constructed of materials which are inherently resistant to being corroded or are suitably protected against being so corroded.

6-9 Checks to electrical devices

Repair and maintenance to electrical components shall include initial safety checks and component inspection procedures.

If a fault exists that could compromise safety, then no electrical supply shall be connected to the circuit until it is satisfactorily dealt with.

If the fault cannot be corrected immediately but it is necessary to continue operation, an adequate temporary solution shall be used.

This shall be reported to the owner of the equipment so all parties are advised. Initial safety checks shall include:

- That capacitors are discharged: this shall be done in a safe manner to avoid possibility of sparking;
- That there no live electrical components and wiring are exposed while charging, recovering or purging the system;
- That there is continuity of earth bonding.

7. Repairs to sealed components

During repairs to sealed components, all electrical supplies shall be disconnected from the equipment being worked upon prior to any removal of sealed covers, etc.

If it is absolutely necessary to have an electrical supply to equipment during servicing, then a permanently operating form of leak detection shall be located at the most critical point to warn of a potentially hazardous situation.

Particular attention shall be paid to the following to ensure that by working on electrical components, the casing is not altered in such a way that the level of protection is affected.

This shall include damage to cables, excessive number of connections, terminals not made to original specification, damage to seals, incorrect fitting of glands, etc.

Ensure that apparatus is mounted securely.

Ensure that seals or sealing materials have not degraded such that they no longer serve the purpose of preventing the ingress of flammable atmospheres.

Replacement parts shall be in accordance with the manufacturer's specifications.

NOTE:

The use of silicon sealant may inhibit the effectiveness of some types of leak detection equipment. Intrinsically safe components do not have to be isolated prior to working on them.

8. Repair to intrinsically safe components

Do not apply any permanent inductive or capacitance loads to the circuit without ensuring that this will not exceed the permissible voltage and current permitted for the equipment in use.

Intrinsically safe components are the only types that can be worked on while live in the presence of a flammable atmosphere. The test apparatus shall be at the correct rating.

Replace components only with parts specified by the manufacturer.

Other parts may result in the ignition of refrigerant in the atmosphere from a leak.

9. Cabling

Check that cabling will not be subject to wear, corrosion, excessive pressure, vibration, sharp edges or any other adverse environmental effects.

The check shall also take into account the effects of aging or continual vibration from sources such as compressors or fans.

10. Detection of flammable refrigerants

Under no circumstances shall potential sources of ignition be used in the searching for or detection of refrigerant leaks.

A halide torch (or any other detector using a naked flame) shall not be used.

11. Leak detection methods

The following leak detection methods are deemed acceptable for systems containing flammable refrigerants:

- Electronic leak detectors shall be used to detect flammable refrigerants, but the sensitivity may not be adequate, or may need re-calibration. (Detection equipment shall be calibrated in a refrigerant-free area.)

- Ensure that the detector is not a potential source of ignition and is suitable for the refrigerant used.

- Leak detection equipment shall be set at a percentage of the LFL of the refrigerant and shall be calibrated to the refrigerant employed and the appropriate percentage of gas (25 % maximum) is confirmed.

- Leak detection fluids are suitable for use with most refrigerants but the use of detergents containing chlorine shall be avoided as the chlorine may react with the refrigerant and corrode the copper pipe-work.

- If a leak is suspected, all naked flames shall be removed/ extinguished.

- If a leakage of refrigerant is found which requires brazing, all of the refrigerant shall be recovered from the system, or isolated (by means of shut off valves) in a part of the system remote from the leak.

- Oxygen free nitrogen (OFN) shall then be purged through the system both before and during the brazing process.

12. Removal and evacuation

When breaking into the refrigerant circuit to make repairs – or for any other purpose – conventional procedures shall be used.

However, it is important that best practice is followed since flammability is a consideration.

The following procedure shall be adhered to:

- Remove refrigerant;

- Purge the circuit with inert gas;

- Evacuate;

- Purge again with inert gas;

- Open the circuit by cutting or brazing.

The refrigerant charge shall be recovered into the correct recovery cylinders.

The system shall be “flushed” with OFN to render the unit safe.

This process may need to be repeated several times.

Compressed air or oxygen shall not be used for this task.

Flushing shall be achieved by breaking the vacuum in the system with OFN and continuing to fill until the working pressure is achieved, then venting to atmosphere, and finally pulling down to a vacuum.

This process shall be repeated until no refrigerant is within the system. When the final OFN charge is used, the system shall be vented down to atmospheric pressure to enable work to take place.

This operation is absolutely vital if brazing operations on the pipe-work are to take place.

Ensure that the outlet for the vacuum pump is not close to any ignition sources and there is ventilation available.

13.Charging procedures

In addition to conventional charging procedures, the following requirements shall be followed:

– Ensure that contamination of different refrigerants does not occur when using charging equipment.

– Hoses or lines shall be as short as possible to minimise the amount of refrigerant contained in them.

– Cylinders shall be kept upright.

– Ensure that the refrigeration system is earthed prior to charging the system with refrigerant.

– Label the system when charging is complete (if not already).

– Extreme care shall be taken not to overfill the refrigeration system.

Prior to recharging the system it shall be pressure tested with OFN.

The system shall be leak tested on completion of charging but prior to commissioning.

A follow up leak test shall be carried out prior to leaving the site.

14.Decommissioning

Before carrying out this procedure, it is essential that the technician is completely familiar with the equipment and all its detail.

It is recommended good practice that all refrigerants are recovered safely.

Prior to the task being carried out, an oil and refrigerant sample shall be taken in case analysis is required prior to re-use of reclaimed refrigerant. It is essential that electrical power is available before the task is commenced.

a) Become familiar with the equipment and its operation.

b) Isolate system electrically.

c) Before attempting the procedure ensure that:

– Mechanical handling equipment is available, if required, for handling refrigerant cylinders;

– All personal protective equipment is available and being used correctly;

– The recovery process is supervised at all times by a competent person;

– Recovery equipment and cylinders conform to the appropriate standards.

d) Pump down refrigerant system, if possible.

e) If a vacuum is not possible, make a manifold so that refrigerant can be removed from various parts of the system.

f) Make sure that cylinder is situated on the scales before recovery takes place.

g) Start the recovery machine and operate in accordance with manufacturer's instructions.

h) Do not overfill cylinders. (No more than 80 % volume liquid charge).

I) Do not exceed the maximum working pressure of the cylinder, even temporarily.

j) When the cylinders have been filled correctly and the process completed, make sure that the cylinders and the equipment are removed from site promptly and all isolation valves on the

equipment are closed off.

k) Recovered refrigerant shall not be charged into another refrigeration system unless it has been cleaned and checked.

15. Labelling

Equipment shall be labelled stating that it has been de-commissioned and emptied of refrigerant.

The label shall be dated and signed.

Ensure that there are labels on the equipment stating the equipment contains flammable refrigerant.

16. Recovery

When removing refrigerant from a system, either for servicing or decommissioning, it is recommended good practice that all refrigerants are removed safely.

When transferring refrigerant into cylinders, ensure that only appropriate refrigerant recovery cylinders are employed.

Ensure that the correct number of cylinders for holding the total system charge is available.

All cylinders to be used are designated for the recovered refrigerant and labelled for that refrigerant (i.e. special cylinders for the recovery of refrigerant).

Cylinders shall be complete with pressure relief valve and associated shut-off valves in good working order.

Empty recovery cylinders are evacuated and, if possible, cooled before recovery occurs.

The recovery equipment shall be in good working order with a set of instructions concerning the equipment that is at hand and shall be suitable for the recovery of flammable refrigerants.

In addition, a set of calibrated weighing scales shall be available and in good working order.

Hoses shall be complete with leak-free disconnect couplings and in good condition.

Before using the recovery machine, check that it is in satisfactory working order, has been properly maintained and that any associated electrical components are sealed to prevent ignition in the event of a refrigerant release.

Consult manufacturer if in doubt.

The recovered refrigerant shall be returned to the refrigerant supplier in the correct recovery cylinder, and the relevant Waste Transfer Note arranged.

Do not mix refrigerants in recovery units and especially not in cylinders.

If compressors or compressor oils are to be removed, ensure that they have been evacuated to an acceptable level to make certain that flammable refrigerant does not remain within the lubricant.

The evacuation process shall be carried out prior to returning the compressor to the suppliers.

Only electric heating to the compressor body shall be employed to accelerate this process.

When oil is drained from a system, it shall be carried out safely.

When moving or relocating the air conditioner, consult experienced service technicians for disconnection and reinstallation of the unit.

Do not place any other electrical products or household belongings under indoor unit or outdoor unit. Condensation dripping from the unit might get them wet, and may cause damage or malfunction of your property.

Do not use means to accelerate the defrosting process or to clean, other than those recommended by the manufacturer.

The appliance shall be stored in a room without continuously operating ignition sources (for example, open flames, an operating gas appliance or an operating electric heater).

Do not pierce or burn.

Be aware that refrigerants may not contain an odor.

To keep ventilation openings clear of obstruction.

The appliance shall be stored in a well-ventilated area where the room size corresponds to the room area as specified for operation.

The appliance shall be stored in a room without continuously operating open flames (for example an operating gas appliance) and ignition sources (for example an operating electric heater).

Any person who is involved with working on or breaking into a refrigerant circuit should hold a current valid certificate from an industry-accredited assessment authority, which authorises their competence to handle refrigerants safely in accordance with an industry recognised assessment specification.

Servicing shall only be performed as recommended by the equipment manufacturer.

Maintenance and repair requiring the assistance of other skilled personnel shall be carried out under the supervision of the person competent in the use of flammable refrigerants.

Do not use means to accelerate the defrosting process or to clean, other than those recommended by the manufacturer.

Appliance shall be installed, operated and stored in a room with a floor area larger than 10 m².

The installation of pipe-work shall be kept to a room with a floor area larger than 10 m².

The pipe-work shall be complied with national gas regulations. The maximum refrigerant charge amount is 2.5 kg.

Mechanical connectors used indoors shall comply with ISO 14903. When mechanical connectors are reused indoors, sealing parts shall be renewed.

When flared joints are reused indoors, the flare part shall be re-fabricated.


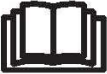


The installation of pipe-work shall be kept to a minimum.

Mechanical connections shall be accessible for maintenance purposes.

The indoor unit shall only be connected to outdoor units suitable for the same refrigerant.

The unit is a partial unit air conditioner, complying with partial unit requirements of the International Standard, and must only be connected to other units that have been confirmed as complying to corresponding partial unit requirements.

Explanation of symbols displayed on the indoor unit or outdoor unit.

	WARNING	This symbol shows that this appliance uses a flammable refrigerant. If the refrigerant is leaked and exposed to an external ignition source, there is a risk of fire.
	CAUTION	This symbol shows that the operation manual should be read carefully.
	CAUTION	This symbol shows that a service personnel should be handling this equipment with reference to the installation manual.
	CAUTION	This symbol shows that information is available such as the operating manual or installation manual.

2. Product Specifications

Note: " ** " mean code of Front Panel(See in 3-1 .Product Pictures).

Model No.		+AST-09UW4RXX** +AST-09UW4RXX**00A	+AST-12UW4RXX** +AST-12UW4RXX**00A	+AST-09UW4RVE**00 +AST-09UW4RVE**00A +AST-09UW4RVZ**00
Type		T1, H/P, INVERTER	T1, H/P, INVERTER	T1, H/P, INVERTER
Ratings				
Cooling Capacity	W	2600	3500/3500	2600/2600
Heating Capacity	W	3200	4000/3400	2800/2400
Rated Input-Cooling	W	540	810	735
Rated Input-Heating	W	750	950	680
Moisture Removal	L/h	0.8	1.2	0.9
Air Circulation	High m3/h	650	650	550
	Mid m3/h	/	580	500
	Low m3/h	/	430	420
EER for Cooling	W/W	9.10	4.32/8.5	3.54/6.1
COP for Heating	W/W	5.10	4.6	4.12/4.0
Energy Class	Cooling	A+++	A+++	A++
Energy Class	Heatling	A+++	A++	A+
Refrigerant		R32	R32	R32
Refrigerant charge volume (5M)	g	950	1050	590
Additional ref. Volume	g	20	20	20
Indoor Unit Noise Level	High(dB (A))	54	55	56
	Mid(dB (A))	/	50	51
	Low(dB (A))	/	46	46
Outdoor Unit Noise Level	dB (A)	59	61	63
Power Supply				
Voltage, Frequency, Phase	V	220~240V,50Hz,1P	220-240V~,50Hz,1P	220-240V~,50Hz,1P
Rated Current	Cooling (A)	2.5	3.8	3.3
	Heating (A)	3.4	4.2	3.1
System pressures in cooling rated conditions				
Max suction pressure	MPa	1.6	1.6	1.6
Max discharge pressure	MPa	4.15	4.15	4.15
System				
Compressor				
Compressor type		Rotary	Rotary	Rotary
Compressor Model No.		KSM98D32ULZ	KSM98D32ULZ	KSN98D32UEZ
Compressor MFG		GMCC	GMCC	GMCC
Connecting Pipe Diameter				
Liquid Pipe	inch	1/4	1/4	1/4
Gas Pipe	inch	3/8	3/8	3/8
Cooling Setting Temperature Range	°C	16~30	16~30	16~30
Heating Setting Temperature	°C	16~30	16~30	16~30

Range				
Cooling Operating Temperature Range	°C	-15~43	-15~43	-15~43
Heating Operating Temperature Range	°C	-15~24	-15~24	-15~24
Features				
Display on Front Panel		LED	LED	Yes
LCD Wireless Remote Controller		Yes	Yes	Yes
Removable and washable Panel		Yes	Yes	Yes
Washable PP Filter		Yes	Yes	Yes
24 Hours Timer		Yes	Yes	Yes
3 Speed and Auto Indoor Fan Control		Yes	Yes	Yes
Vertical Auto Swing Louver		Yes	Yes	Yes
Manual Adjustable Horizontal Swing Louver		Yes	Yes	Yes
Sleep Operation		Yes	Yes	Yes
Smart Function		Yes	Yes	Yes
Super Function		Yes	Yes	Yes
Auto Restart		Yes	Yes	Yes
Dimmer		Yes	Yes	Yes
Other				
Net Dimensions WxHxD (mm)	Indoor Unit	/	/	/
	Outdoor Unit	810×280×585	810x280x585	715x240x486
Net Weight (Kg)	Indoor Unit	/	/	/
	Outdoor Unit	36	37	26
Packing Dimensions WxHxD (mm)	Indoor Unit	/	/	/
	Outdoor Unit	940×385×630	940×385×630	830x315x530
Gross Weight (Kg)	Indoor Unit	/	/	/
	Outdoor Unit	40	41	29

Model No.		+AST-09UW4RYY**00 +AST-09UW4RYD**00	+AST-12UW4RVE**00 +AST-12UW4RVE**00A +AST-12UW4RVZ**00	+AST-09UW4RXE**00 +AST-09UW4RXE**00A +AST-09UW4RXE**00B +AST-09UW4RXE**00C
Type		T1, H/P, INVERTER	T1, H/P, INVERTER	T1, H/P, INVERTER
Ratings				
Cooling Capacity	W	2600/2600	3500/3500	2600
Heating Capacity	W	2700/2000	4000/3300	3000
Rated Input-Cooling	W	840	1000	550
Rated Input-Heating	W	700	1025	715
Moisture Removal	L/h	0.9	1.2	0.9
Air Circulation	High m3/h	550	600	600
	Mid m3/h	480	580	/
	Low m3/h	400	430	/
EER for Cooling	W/W	3.30/6.1	3.5/6.1	8.5
COP for Heating	W/W	3.86/4.0	3.9/4.0	4.6
Energy Class	Cooling	A++	A++	A+++
Energy Class	Heating	A+	A+	A++
Refrigerant		R32	R32	R32
Refrigerant charge volume (5M)	g	550	760	910
Additional ref. Volume	g	20	20	20
Indoor Unit Noise Level	High(dB (A))	54	56	56
	Mid(dB (A))	50	51	/
	Low(dB (A))	47	46	/
Outdoor Unit Noise Level	dB (A)	62	63	60
Power Supply				
Voltage, Frequency, Phase	V	220-240V~,50Hz,1P	220-240V~,50Hz,1P	220~240V,50Hz,1P
Rated Current	Cooling (A)	3.8	4.4	2.5
	Heating (A)	3.1	4.5	3.2
System pressures in cooling rated conditions				
Max suction pressure	MPa	1.6	1.6	1.6
Max discharge pressure	MPa	4.15	4.15	4.15
System				
Compressor				
Compressor type		Rotary	Rotary	Rotary
Compressor Model No.		GSD088SKQA6JT6	KSN98D32UEZ	KSM98D32ULZ
Compressor MFG		Hitachi	GMCC	GMCC
Connecting Pipe Diameter				
Liquid Pipe	inch	1/4	1/4	1/4
Gas Pipe	inch	3/8	3/8	3/8
Cooling Setting Temperature Range	°C	16~30	16~30	16~30
Heating Setting Temperature Range	°C	16~30	16~30	16~30
Cooling Operating	°C	19~43	-15~43	-15~43

Temperature Range				
Heating Operating Temperature Range	°C	-15~24	-15~24	-15~24
Features				
Display on Front Panel		LED	LED	LED
LCD Wireless Remote Controller		Yes	Yes	Yes
Removable and washable Panel		Yes	Yes	Yes
Washable PP Filter		Yes	Yes	Yes
24 Hours Timer		Yes	Yes	Yes
3 Speed and Auto Indoor Fan Control		Yes	Yes	Yes
Vertical Auto Swing Louver		Yes	Yes	Yes
Manual Adjustable Horizontal Swing Louver		Yes	Yes	Yes
Sleep Operation		Yes	Yes	Yes
Smart Function		Yes	Yes	Yes
Super Function		Yes	Yes	Yes
Auto Restart		Yes	Yes	Yes
Dimmer		Yes	Yes	Yes
Other				
Net Dimensions WxHxD (mm)	Indoor Unit	/	/	/
	Outdoor Unit	660×240×482	715 x 240 x 482	810X280X585
Net Weight (Kg)	Indoor Unit	/	/	/
	Outdoor Unit	22	27	36
Packing Dimensions WxHxD (mm)	Indoor Unit	/	/	/
	Outdoor Unit	780×315×530	900x335x530	940×385×630
Gross Weight (Kg)	Indoor Unit	/	/	/
	Outdoor Unit	25	30	40

Model No.		+AST-18UR4RXA**00 +AST-18UW4RXA**00 +AST-18UW4RXA**00A	+AST-24UW4RBB**00 +AST-24UW4RBB**00B	+AST-12UW4RXE**00 +AST-12UW4RXE**00A +AST-12UW4RXE**00B +AST-12UW4RXE**00C
Type		T1, H/P, INVERTER	T1, H/P, INVERTER	T1, H/P, INVERTER
Ratings				
Cooling Capacity	W	5000/5000	7000/7000	3500/3500
Heating Capacity	W	5600/4700	7100/5300	4100/3200
Rated Input-Cooling	W	1540	2230	795
Rated Input-Heating	W	1550	2240	1050
Moisture Removal	L/h	2	2.5	1.2
Air Circulation	High m3/h	1000	1100	620
	Mid m3/h	/	950	580
	Low m3/h	/	800	430
EER for Cooling	W/W	3.25/6.10	3.14/6.1	4.4/8.5
COP for Heating	W/W	3.61/4.0	3.17/4.0	3.9/4.6
Energy Class	Cooling	A++	A++	A+++
Energy Class	Heating	A+	A+	A++
Refrigerant		R32	R32	R32
Refrigerant charge volume (5M)	g	1200	1440	1030
Additional ref. Volume	g	20	20	20
Indoor Unit Noise Level	High(dB (A))	60	63	56
	Mid(dB (A))	/	59	51
	Low(dB (A))	/	55	46
Outdoor Unit Noise Level	dB (A)	65	64	62
Power Supply				
Voltage, Frequency, Phase	V	208-240V~,50Hz,1P	220-240V~,50Hz,1P	220-240V~,50Hz,1P
Rated Current	Cooling (A)	6.9	9.9	3.5
	Heating (A)	7	9.9	4.6
System pressures in cooling rated conditions				
Max suction pressure	MPa	1.6	1.6	1.6
Max discharge pressure	MPa	4.15	4.15	4.15
System				
Compressor				
Compressor type		Rotary	Rotary	Rotary
Compressor Model No.		GTD150RDPA8JTA	GTL232UDPC9AU1LB	KSM98D32ULZ
Compressor MFG		Hitachi	Hitachi	GMCC
Connecting Pipe Diameter				
Liquid Pipe	inch	1/4	3/8	1/4
Gas Pipe	inch	1/2	5/8	3/8
Cooling Setting Temperature Range	°C	16~30	16~30	16~30
Heating Setting Temperature Range	°C	-7~24	16~30	16~30
Cooling Operating	°C	16~51	16~43	16~43

Temperature Range				
Heating Operating Temperature Range	°C	-15~32	-15~24	-15~24
Features				
Display on Front Panel		LED	LED	LED
LCD Wireless Remote Controller		Yes	Yes	Yes
Removable and washable Panel		Yes	Yes	Yes
Washable PP Filter		Yes	Yes	Yes
24 Hours Timer		Yes	Yes	Yes
3 Speed and Auto Indoor Fan Control		Yes	Yes	Yes
Vertical Auto Swing Louver		Yes	Yes	Yes
Manual Adjustable Horizontal Swing Louver		Yes	Yes	Yes
Sleep Operation		Yes	Yes	Yes
Smart Function		Yes	Yes	Yes
Super Function		Yes	Yes	Yes
Auto Restart		Yes	Yes	Yes
Dimmer		Yes	Yes	Yes
Other				
Net Dimensions WxHxD (mm)	Indoor Unit	/	/	/
	Outdoor Unit	810X280X585	860X 310X667	810X280X585
Net Weight (Kg)	Indoor Unit	/	/	/
	Outdoor Unit	38	48	37
Packing Dimensions WxHxD (mm)	Indoor Unit	/	/	/
	Outdoor Unit	940×385×630	995 X420X720	940×385×630
Gross Weight (Kg)	Indoor Unit	/	/	/
	Outdoor Unit	42	52	41

Model No.		+AS-09UR4RYD**01	+AS-12UR4RYD**01	+AST-18UR4RBA**00 +AST-18UW4RBA**00 +AST-18UW4RBA**00A
Type		T1, H/P, INVERTER	T1, H/P, INVERTER	T1, H/P, INVERTER
Ratings				
Cooling Capacity	W	2600/2600	3400/3400	5000/5000
Heating Capacity	W	2700/2000	3900/2800	5600/4000
Rated Input-Cooling	W	840	1140	1280
Rated Input-Heating	W	700	1080	1400
Moisture Removal	L/h	0.9	1.2	2
Air Circulation	High m3/h	550	580	1000
	Mid m3/h	480	500	/
	Low m3/h	400	430	/
EER for Cooling	W/W	3.04/6.1	2.98/6.1	3.90/8.1
COP for Heating	W/W	3.86/4.0	3.61/4.0	4.0/4.6
Energy Class	Cooling	A++	A++	A++
Energy Class	Heatling	A+	A+	A++
Refrigerant		R32	R32	R32
Refrigerant charge volume (5M)	g	480	760	1220
Additional ref. Volume	g	20	20	20
Indoor Unit Noise Level	High(dB (A))	56	56	60
	Mid(dB (A))	52	50	/
	Low(dB (A))	49	46	/
Outdoor Unit Noise Level	dB (A)	62	62	65
Power Supply				
Voltage, Frequency, Phase	V	220~240V,50Hz,1P	220~240V,50Hz,1P	220~240V,50Hz,1P
Rated Current	Cooling (A)	3.9	5.0	5.7
	Heating (A)	3.1	4.8	6.3
System pressures in cooling rated conditions				
Max suction pressure	MPa	1.6	1.6	1.6
Max discharge pressure	MPa	4.15	4.15	4.15
System				
Compressor				
Compressor type		Rotary	Rotary	Rotary
Compressor Model No.		DS089MJA	GSD088SKQA6JT6	GTD130UKQA8JT6
Compressor MFG		LG	HIGHLY	Hitachi
Connecting Pipe Diameter				
Liquid Pipe	inch	1/4	1/4	1/4
Gas Pipe	inch	3/8	3/8	1/2
Cooling Setting Temperature Range	°C	16~30	16~30	16~30
Heating Setting Temperature	°C	16~30	16~30	16~30

Range				
Cooling Operating Temperature Range	°C	19~43	-15~43	19~43
Heating Operating Temperature Range	°C	-15~24	-15~24	-15~24
Features				LED
Display on Front Panel		LED	LED	Yes
LCD Wireless Remote Controller		Yes	Yes	Yes
Removable and washable Panel		Yes	Yes	Yes
Washable PP Filter		Yes	Yes	Yes
24 Hours Timer		Yes	Yes	Yes
3 Speed and Auto Indoor Fan Control		Yes	Yes	Yes
Vertical Auto Swing Louver		Yes	Yes	Yes
Manual Adjustable Horizontal Swing Louver		Yes	Yes	Yes
Sleep Operation		Yes	Yes	Yes
Smart Function		Yes	Yes	Yes
Super Function		Yes	Yes	Yes
Auto Restart		Yes	Yes	Yes
Dimmer		Yes	Yes	
Other				
Net Dimensions WxHxD (mm)	Indoor Unit	/	/	/
	Outdoor Unit	660×240×482	660×240×482	860X 310X667
Net Weight (Kg)	Indoor Unit	/	/	/
	Outdoor Unit	22	24	43
Packing Dimensions WxHxD (mm)	Indoor Unit	/	/	/
	Outdoor Unit	780×315×530	780×315×530	995 X420X720
Gross Weight (Kg)	Indoor Unit	/	/	/
	Outdoor Unit	25	27	49




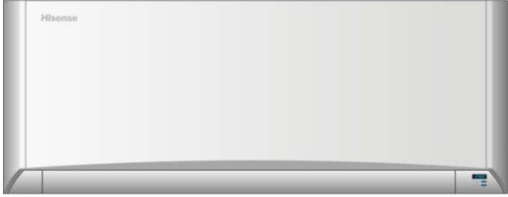


Model No.		+AST-24UW4RDB**00 +AST-24UW4RDB**00A
Type		T1, H/P, INVERTER
Ratings		
Cooling Capacity	W	7000
Heating Capacity	W	7000
Rated Input-Cooling	W	2000
Rated Input-Heating	W	2200
Moisture Removal	L/h	2.4
Air Circulation	High m3/h	1100
	Mid m3/h	/
	Low m3/h	/
EER for Cooling	W/W	7.9
COP for Heating	W/W	4.6
Energy Class	Cooling	A++
Energy Class	Heating	A++
Refrigerant		R32
Refrigerant charge volume (5M)	g	1700
Additional ref. Volume	g	30
Indoor Unit Noise Level	High(dB (A))	63
	Mid(dB (A))	/
	Low(dB (A))	/
Outdoor Unit Noise Level	dB (A)	69
Power Supply		
Voltage, Frequency, Phase	V	220~240V,50Hz,1P
Rated Current	Cooling (A)	8.6
	Heating (A)	9.7
System pressures in cooling rated conditions		
Max suction pressure	MPa	1.6
Max discharge pressure	MPa	4.15
System		
Compressor		
Compressor type		Rotary
Compressor Model No.		GTL232UDPC9AU1LB
Compressor MFG		HIGHLY
Connecting Pipe Diameter		
Liquid Pipe	inch	3/8
Gas Pipe	inch	5/8
Cooling Setting Temperature Range	°C	18-32
Heating Setting Temperature Range	°C	18-32

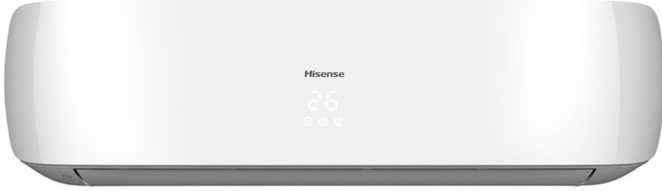


Cooling Operating Temperature Range	°C	-15~43
Heating Operating Temperature Range	°C	-15~24
Features		
Display on Front Panel		LED
LCD Wireless Remote Controller		Yes
Removable and washable Panel		Yes
Washable PP Filter		Yes
24 Hours Timer		Yes
3 Speed and Auto Indoor Fan Control		Yes
Vertical Auto Swing Louver		Yes
Manual Adjustable Horizontal Swing Louver		Yes
Sleep Operation		Yes
Smart Function		Yes
Super Function		Yes
Auto Restart		Yes
Dimmer		Yes
Other		
Net Dimensions WxHxD (mm)	Indoor Unit	/
	Outdoor Unit	884X365X793
Net Weight (Kg)	Indoor Unit	/
	Outdoor Unit	60
Packing Dimensions WxHxD (mm)	Indoor Unit	/
	Outdoor Unit	1050X500X890
Gross Weight (Kg)	Indoor Unit	/
	Outdoor Unit	65

3. Product Picture and Drawing

3-1. Product Pictures





Indoor units:

Front Panel	DA
View	
Front Panel	DG
View	
Front Panel	DJ
View	
Front Panel	TA
View	
Front Panel	TE
View	
Front Panel	TF
View	
Front Panel	TG

View	
Front Panel	TQ
View	
Front Panel	QA
View	

Note: " ** " mean one or more than one code of Front Panel , but maybe not mean that all the code .

Outdoor Units:

Capacity (Btu)	V (W1M)	Y (W1R)
View		
Capacity (Btu)	F (W2M)	D (W5F)
View		
Capacity (Btu)	X (W1T)	B (W2T)

View

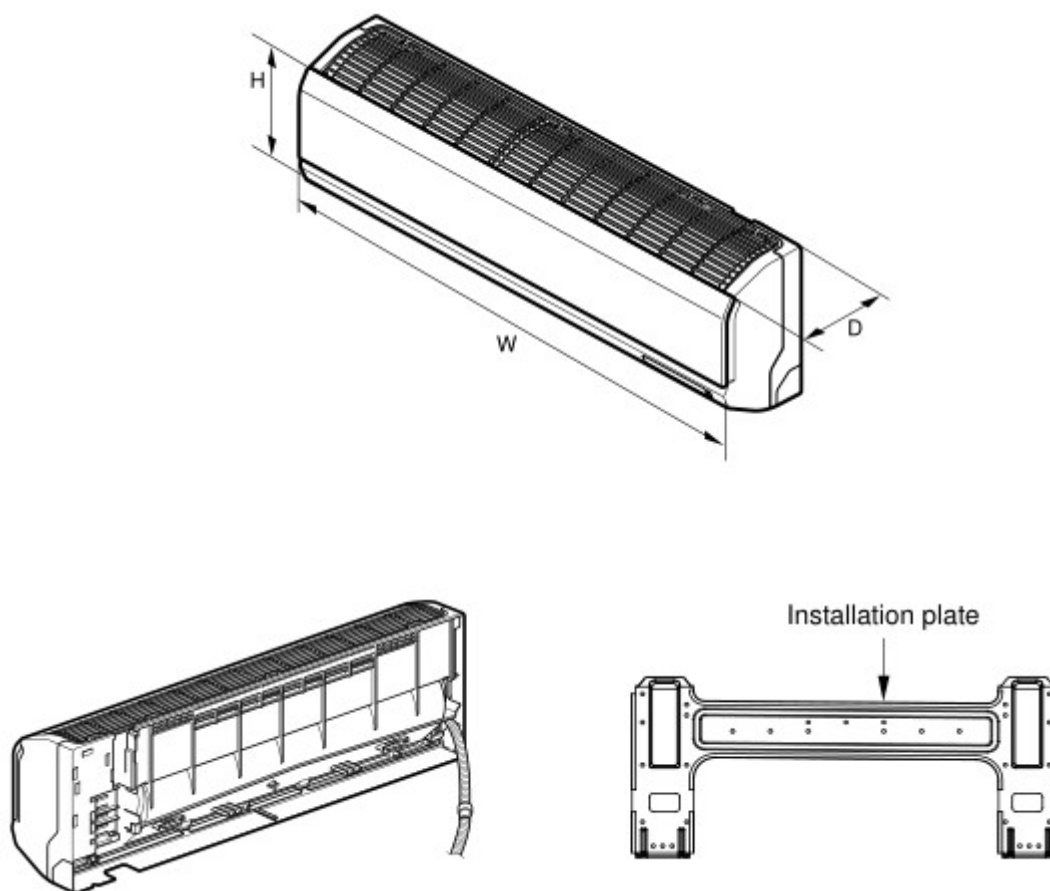


Remote controller:

Model	L1	R1	J1
View			
Model	R2		
View			

3-2. Product dimensions

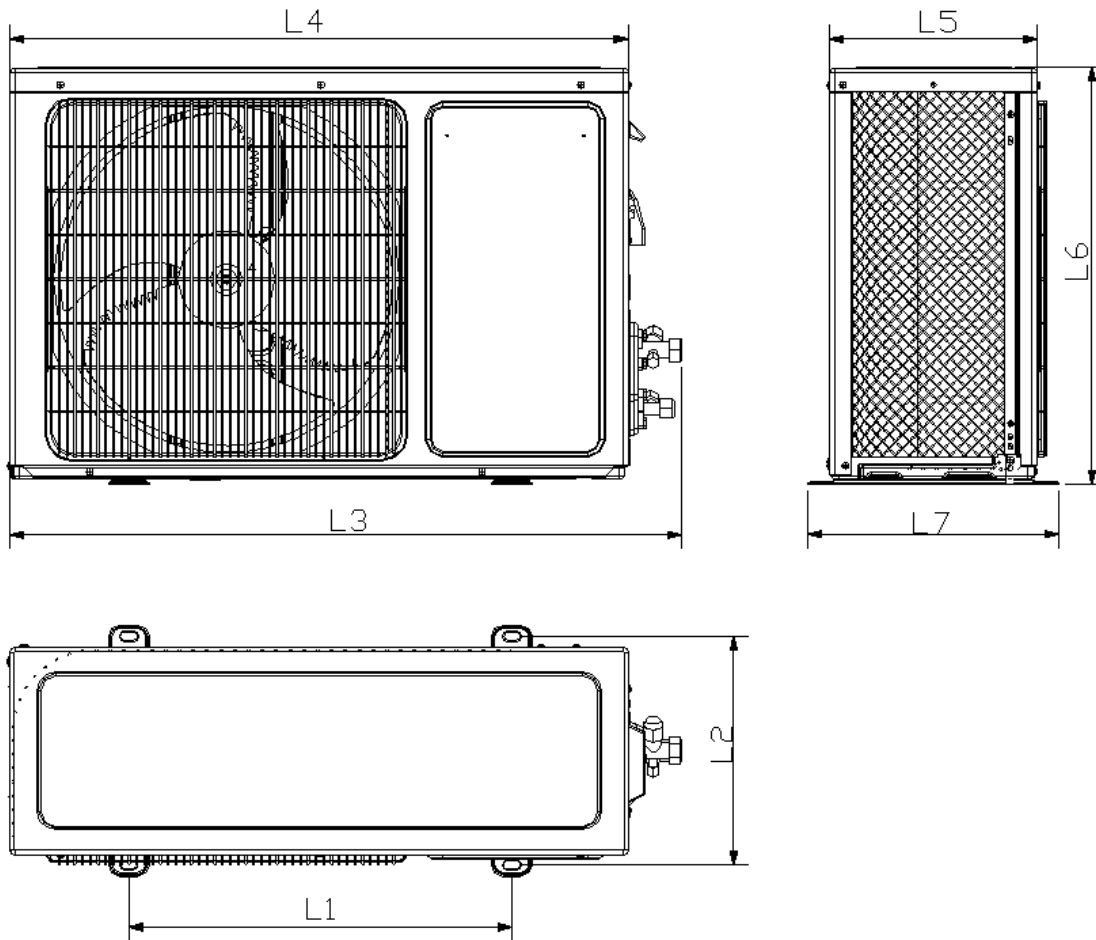
Indoor units:



Model	W (mm)	H (mm)	D (mm)
AST-24UW4RBBTE00	1131	315	235
AS-09UR4RYDTE01	780	270	212
AST-18UW4RXATE00	960	315	235
AS-12UR4RYDTE01	780	270	212
AST-09UW4RXXQA00A	963	319	226
AST-12UW4RXXQA00A	963	319	226
AST-18UR4RXADJ00 AST-18UW4RXADJ00 AST-18UW4RXADJ00A	915	315	229
AST-09UW4RVEDJ00A	815	270	210
AST-12UW4RVEDJ00 AST-12UW4RVEDJ00A	815	270	210
AST-24UW4RBBDJ00 AST-24UW4RBBDJ00B	1087	315	229
AS-12UR4RYDDA01	745	275	219
AS-09UR4RYDDA01	745	275	219
AST-24UW4RDBTQ00A	1185	315	231

AST-18UW4RBATQ00A	1014	315	231
AST-09UW4RVETG00 AST-09UW4RVETG00A	950	272	207
AST-12UW4RVETG00 AST-12UW4RVETG00A	950	272	207
AST-18UW4RXATG00 AST-18UW4RXATG00A	1050	320	235
AST-24UW4RBBTG00 AST-24UW4RBBTG00B	1219	320	235
AST-09UW4RXETQ00B	906	270	210
AST-12UW4RXETQ00B	906	270	210
AST-09UW4RVEDA00	815	270	214
AS-12UR4RYDDG01	745	270	215
AS-09UR4RYDDG01	745	270	215
AST-18UW4RBADB00A	934	325	244

Outdoor units:



Model	L1 (mm)	L2 (mm)	L3 (mm)	L4 (mm)	L5 (mm)	L6 (mm)	L7 (mm)
+AST-09UW4RXX**	510	310	865	810	280	585	350
+AST-12UW4RXX**							
+AST-09UW4RXX**00A							
+AST-12UW4RXX**00A							

+AST-09UW4RXE**00							
+AST-12UW4RXE**00							
+AST-18UR4RXA**00							
+AST-18UW4RXA**00							
+AST-18UW4RXA**00A							
+AST-18UW4RXA**00B							
+AST-09UW4RVE**00							
+AST-09UW4RVE**00A							
+AST-12UW4RVE**00	443	264	776	715	240	486	290
+AST-12UW4RVE**00A							
+AST-12UW4RVZ**00							
+AS-09UR4RYD**01							
+AS-12UR4RYD**01							
+AST-09UW4RYD**00	438	264	722	660	240	493	290
+AST-09UW4RYY**00							
AST-18UW4RBA**00A	542	341	935	860	310	667	368
+AST-24UW4RBB**00							
+AST-24UW4RBB**00B	542	341	935	860	310	667	368
AST-24UW4RDB**00A	662	390	959	884	365	793	414

Note: " ** " mean code of Front Panel.

4. Installation Instruction



WARNING

To prevent abnormal heat generation and the possibility of fire, do not place obstacles, enclosures and grilles in front of or surrounding the air conditioner in a way that may block air flow. And, more than 1 meter away from any antenna or power lines or connecting wires used for TV, radio, telephone, security system, or intercom. Electrical noise from any of these sources may affect operation.

4-1. Installation Place and Condition

Indoor unit

Avoid:

- △ direct sunlight.
- △ nearby heat sources that may affect performance of the unit.
- △ areas where leakage of flammable gas may be expected.
- △ places where large amounts of oil mist exist.

Do:

- △ Select an appropriate position from which every corner of the room can be uniformly cooled.
- △ Select a location that will hold the weight of the unit.
- △ Select a location where tubing and drain hose have the shortest run to the outside. (See a)
- △ Allow room for operation and maintenance as well as unrestricted air flow around the unit. (See b)
- △ Install the unit within the maximum elevation difference (H) above or below the outdoor unit and within a total tubing length (L) from the outdoor unit as detailed (See table 1 and c)

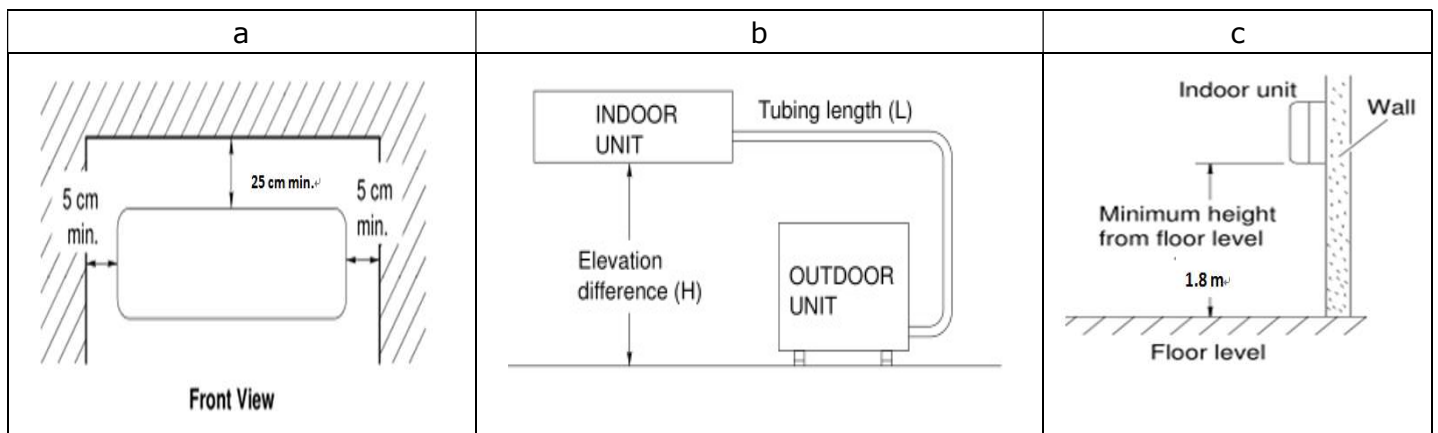


table 1

Capacity (Btu/h)	Pipe Size		Standard Length (m)	Max. Elevation B (m)	Max.Length A (m)	Additional Refrigerant (g/m)
	GAS	LIQUID				
9k	3/8"(Ø9.52)	1/4"(Ø6.35)	5	5	15	20
	1/2"(Ø12.7)	1/4"(Ø6.35)	5	5	15	20
12k	3/8"(Ø9.52)	1/4"(Ø6.35)	5	5	15	20
	1/2"(Ø12.7)	1/4"(Ø6.35)	5	5	15	20
18k	1/2"(Ø12.7)	1/4"(Ø6.35)	5	5	15	20
	5/8"(Ø15.88)	1/4"(Ø6.35)	5	5	15	20
	5/8"(Ø15.88)	3/8"(Ø9.52)	5	5	15	30
24k	1/2"(Ø12.7)	1/4"(Ø6.35)	5	5	15	20
	5/8"(Ø15.88)	1/4"(Ø6.35)	5	5	15	20
	5/8"(Ø15.88)	3/8"(Ø9.52)	5	5	15	30

* If total tubing length becomes 7.5 to 15 m (max.), charge additional refrigerant as the table1 for reference. And no additional compressor oil is necessary.

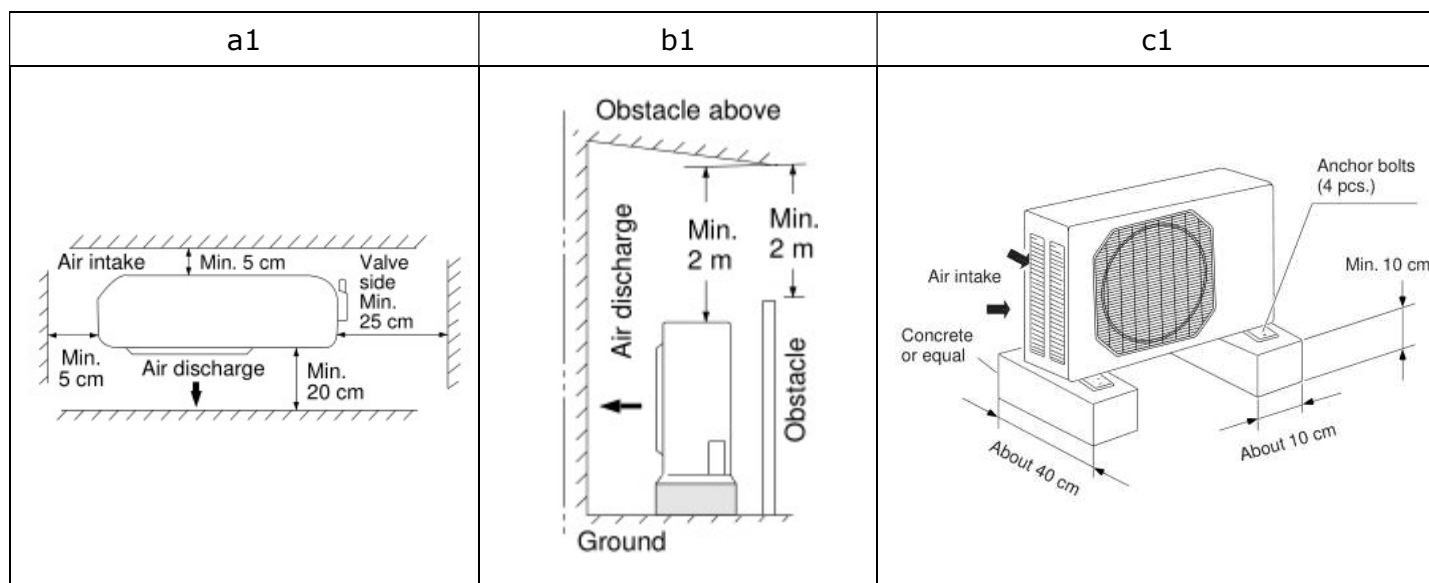
Outdoor unit

Avoid:

- △ Heat sources, exhaust fans, etc.
- △ Damp, humid or uneven locations.

DO:

- △ Choose a place as cool as possible.
- △ Choose a place that is well ventilated.
- △ Allow enough room around the unit for air intake or exhaust and possible maintenance. (see a1, b1 & c1)
- △ Provide a solid base (level concrete pad, concrete block, 10 × 40 cm beams or equal), a minimum of 10 cm above ground level to reduce humidity and protect the unit against possible water damage and decreased service life.
- △ Install cushion rubber under unit's feet to reduce vibration and noise.
- △ Use lug bolts or equal to bolt down unit, reducing vibration and noise.



Recommended Wire Diameter:

Capacity size	Wire Diameter(mm ²)	Fuse or Circuit Breaker Capacity
5K~12k	1.0(Power wire)/1.0 (Connect wire)	3.15A (indoor) /15A (outdoor)
18k	2.5(Power wire)/1.5 (Connect wire)	3.15A (indoor) /20A (outdoor)
22K~30K	2.5(Power wire)/2.5 (Connect wire)	3.15A (indoor) /30A (outdoor)

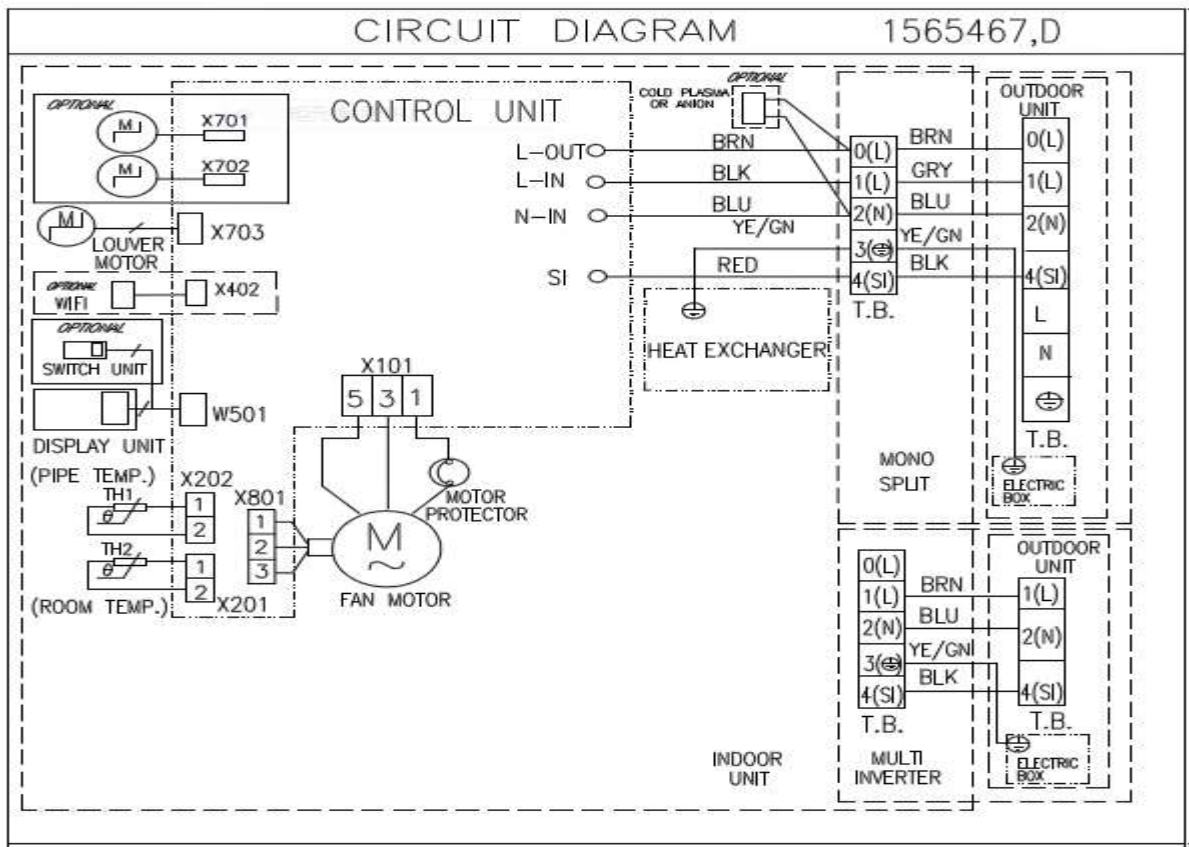
4-2. Electric Wiring Diagram

Model	Indoor Unit DIAGRAM	Outdoor Unit DIAGRAM
+AST-09UW4RXX** +AST-09UW4RXX**00A	1852094	1853482
+AST-12UW4RXX** +AST-12UW4RXX**00A	1852094	1853482
+AST-09UW4RVE**00	1565467	1853482
+AST-12UW4RVE**00	1565467	1853482
+AST-12UW4RVZ**00	1565467	1853482
+AST-09UW4RXE**00	1897944	1853482
+AST-12UW4RXE**00	1897944	1853482
+AST-09UW4RYY**00	1897944	1853482
+AST-09UW4RYD**00	1897944	1853482
+AST-18UR4RXA**00 +AST-18UW4RXA**00	1812496	1853482
+AST-24UW4RBB**00 +AST-24UW4RBB**00A +AST-24UW4RBB**00B	1897944	1853482
+AST-09UW4RVE**00A +AST-09UW4RVE**00B +AST-09UR4RVE**00B	1897944	1853482
+AST-12UW4RVE**00A +AST-12UW4RVE**00B +AST-12UR4RVE**00B	1897944	1853482
+AST-18UW4RXA**00A +AST-18UR4RXA**00B +AST-18UW4RXA**00B	1897944	1853482
+AST-12UW4RXE**00B	1897944	1853482
AS-09UR4RYD**01	1820465	1853482
AS-12UR4RYD**01	1820465	1853482
+AST-24UW4RDB**00 +AST-24UW4RDB**00A	1897944	1853482
+AST-18UW4RBA**00 +AST-18UW4RBA**00A	1897944	1853482

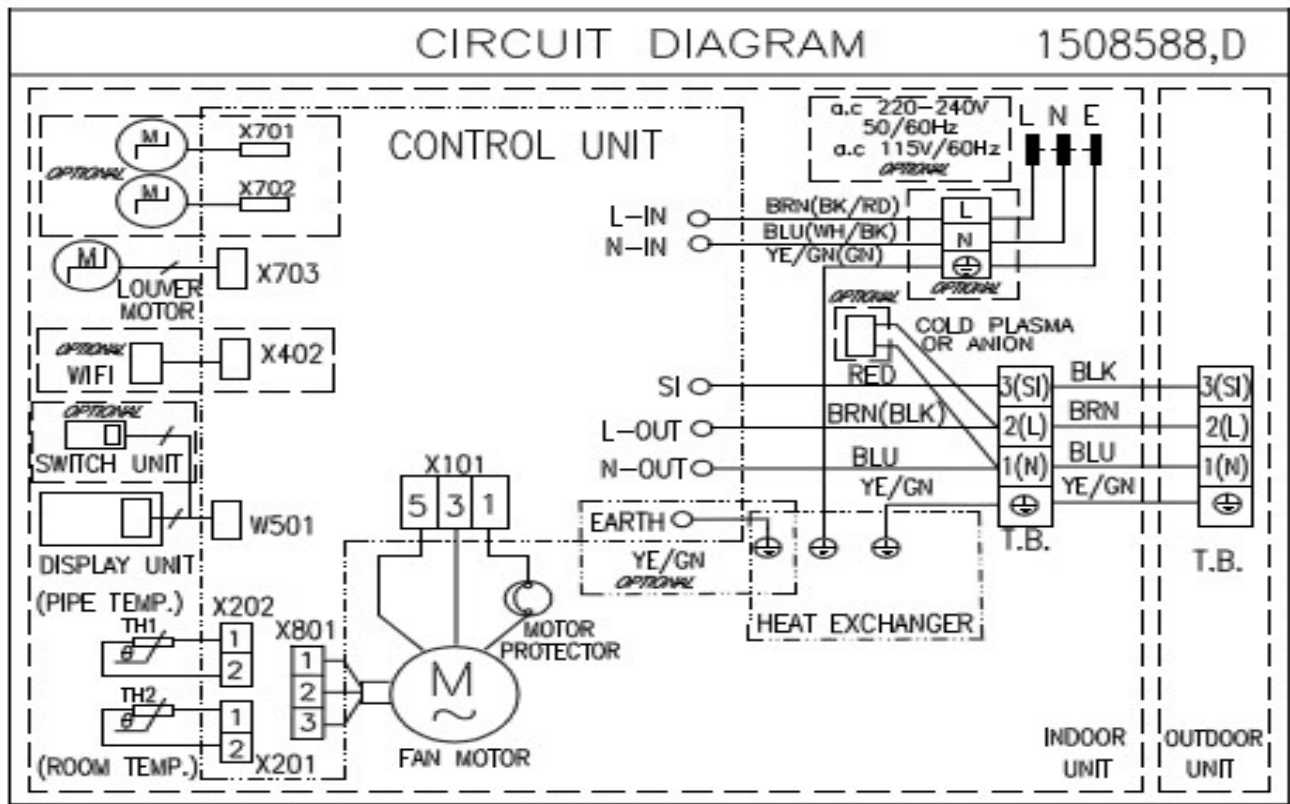
Note: " ** " mean code of Front Panel.

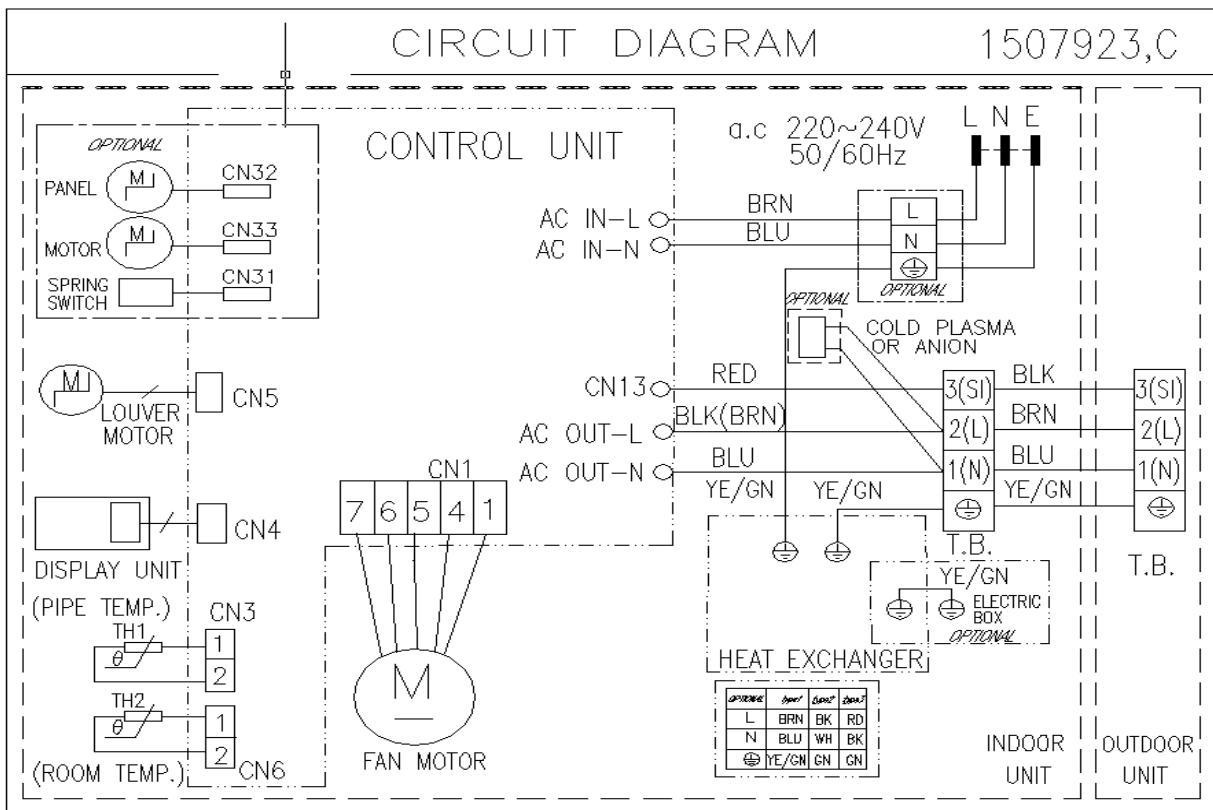
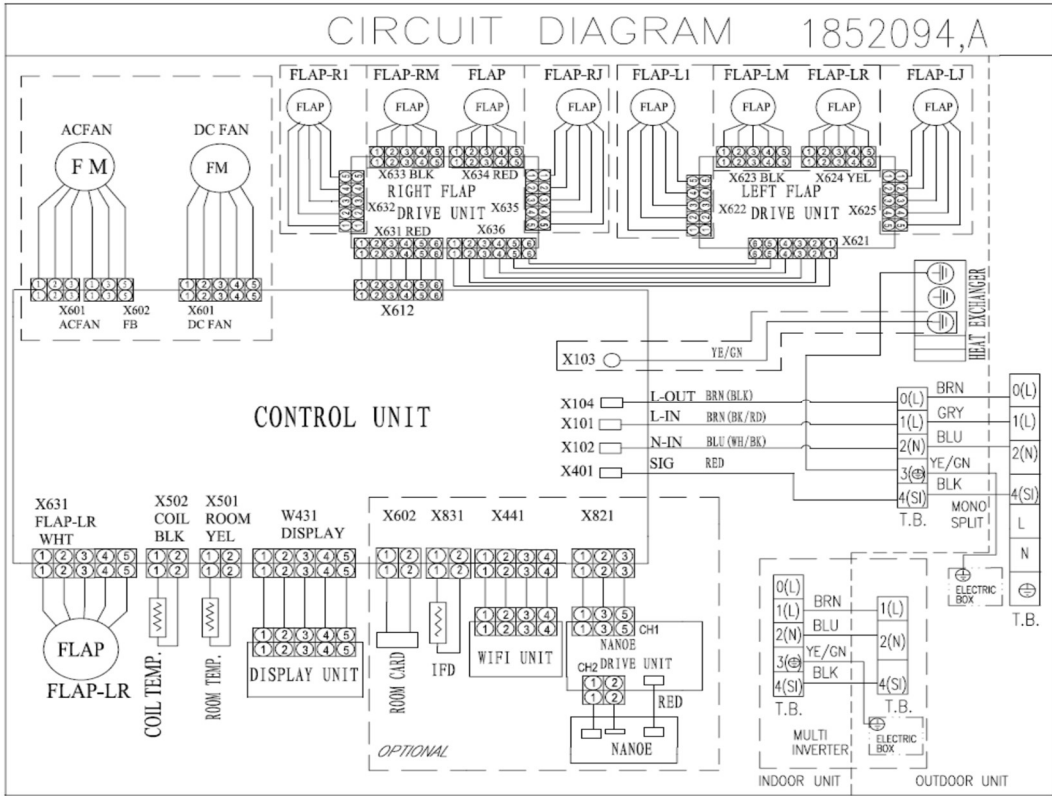
Indoor Unit DIAGRAM:

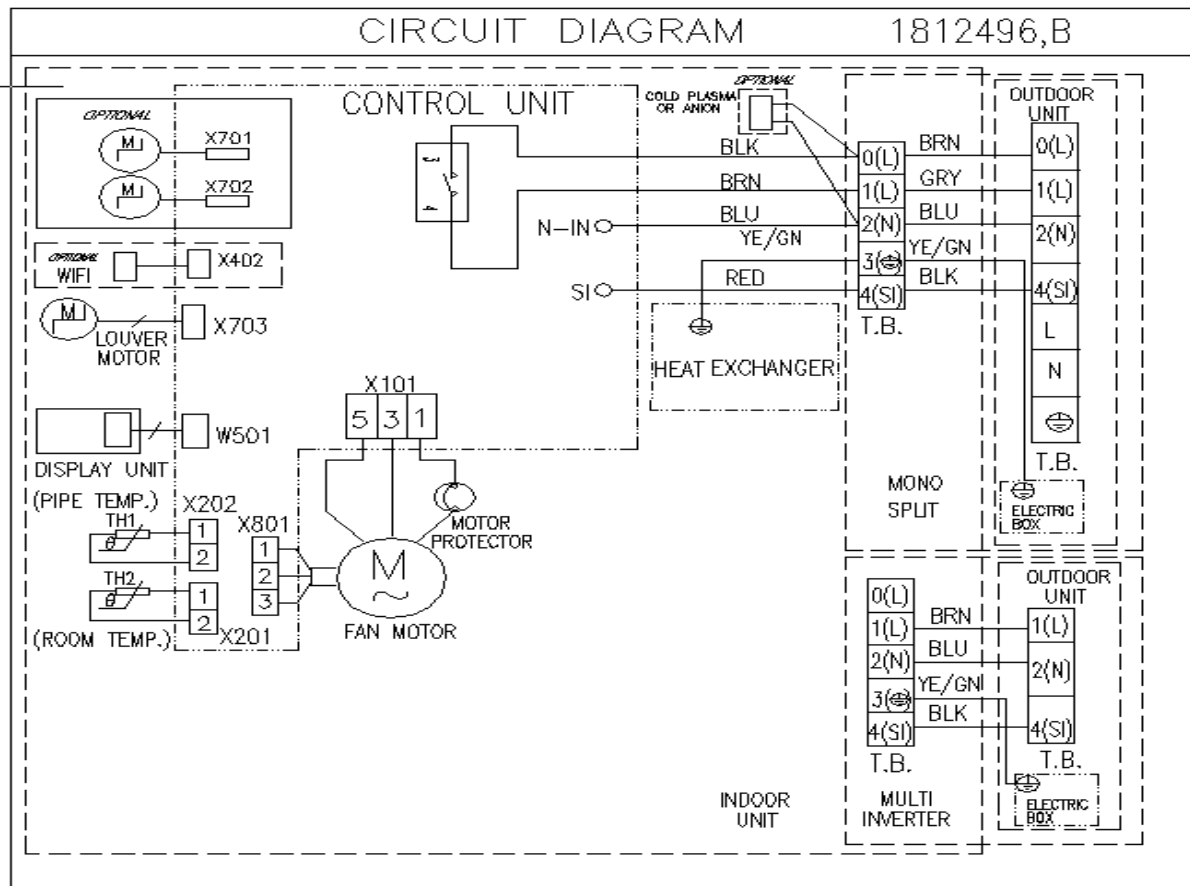
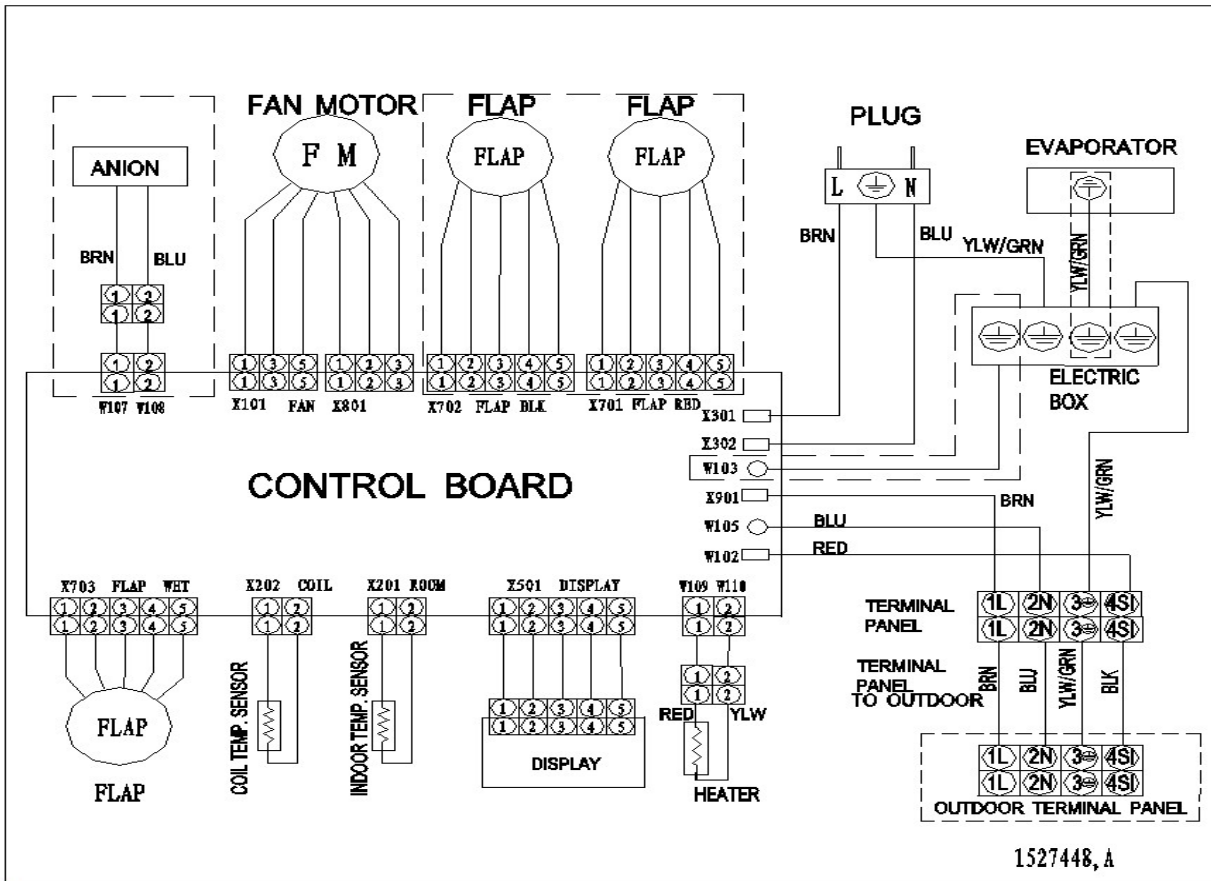
1565467

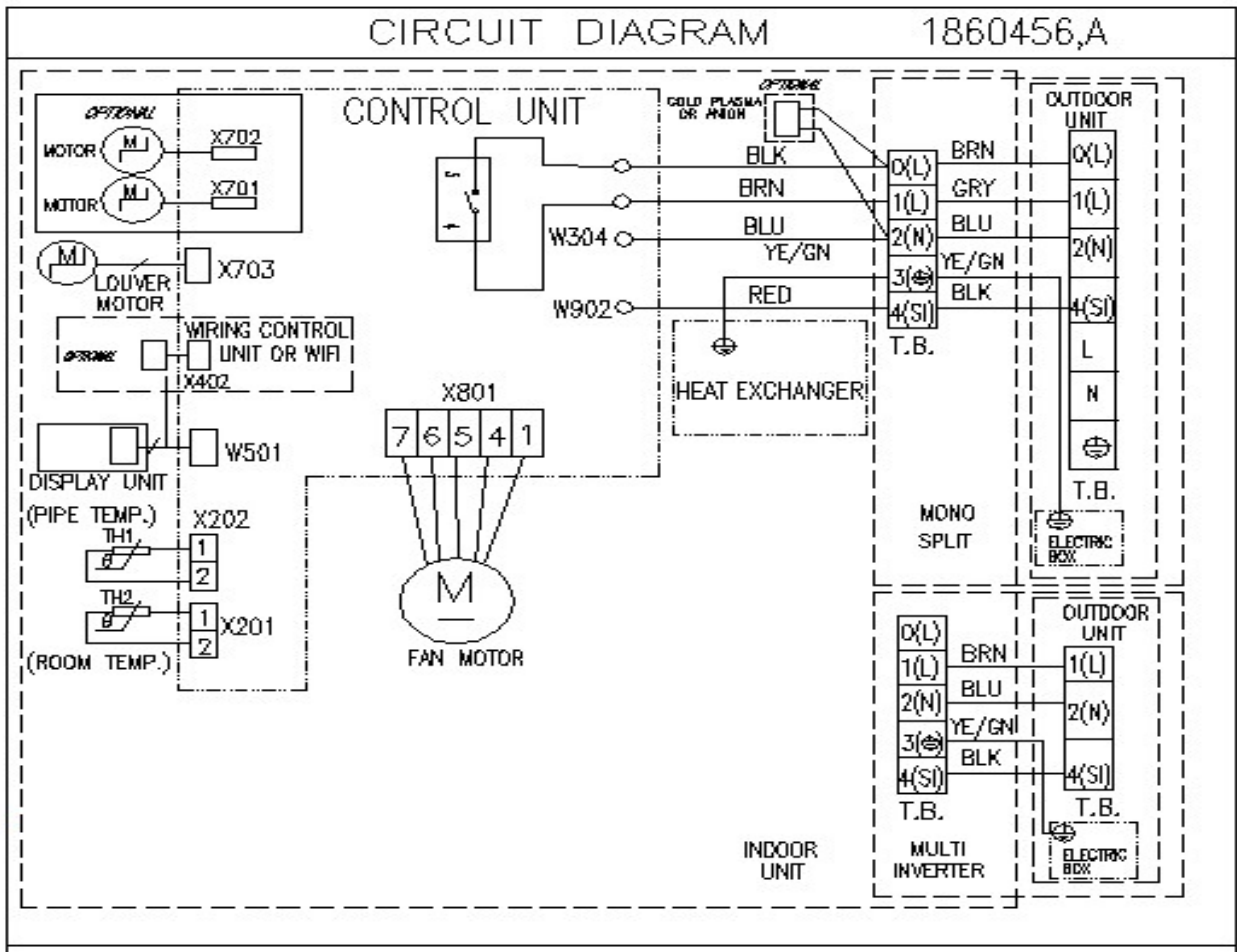
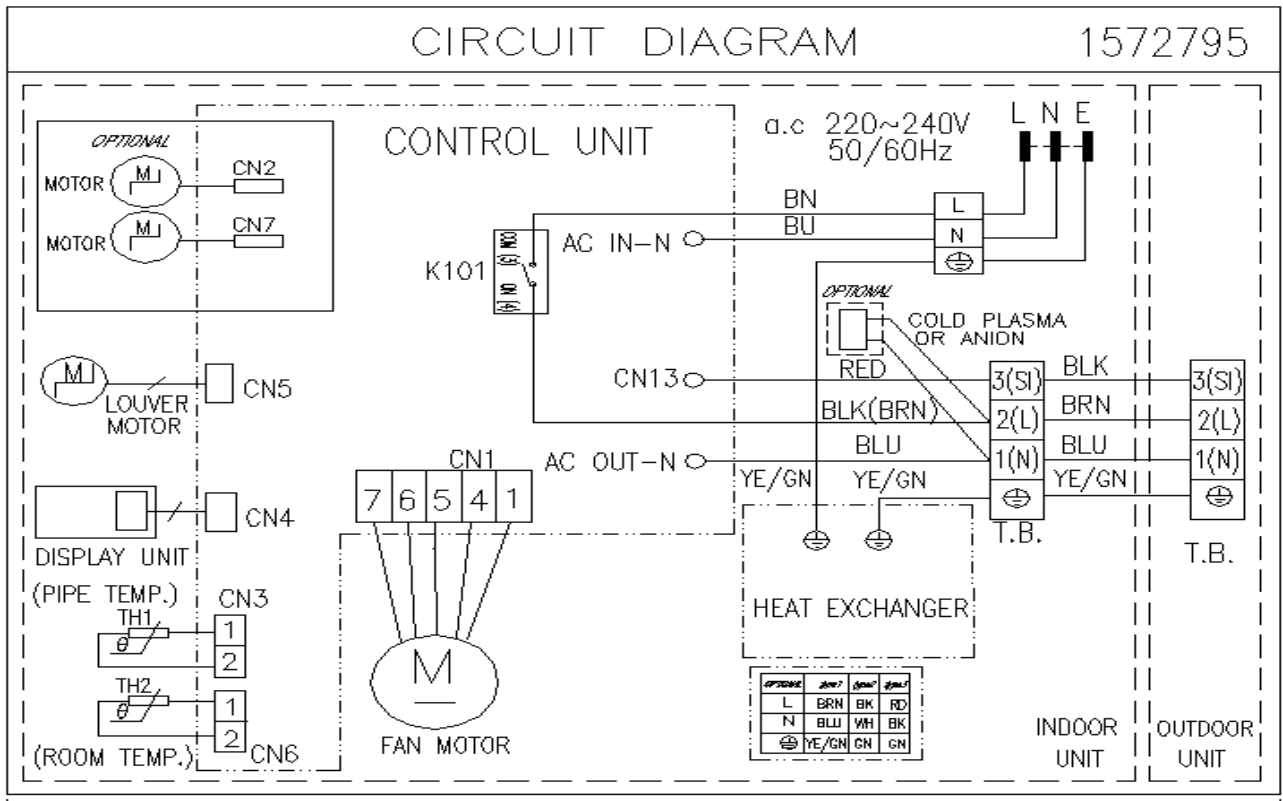


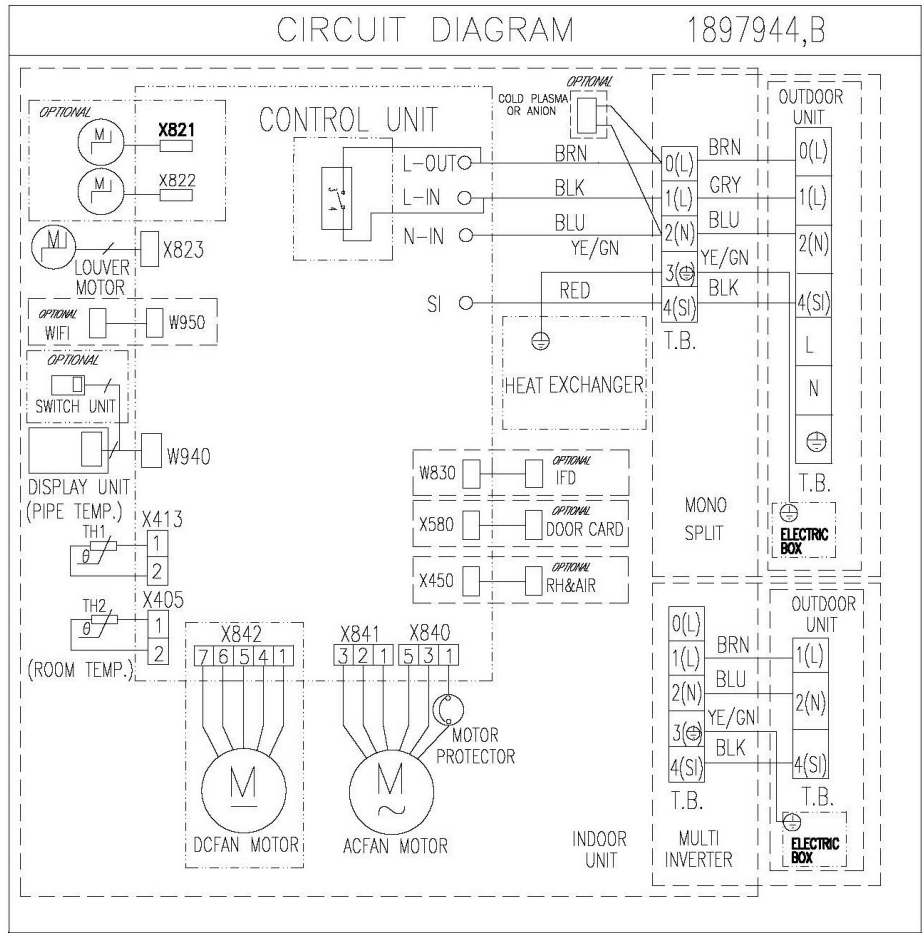
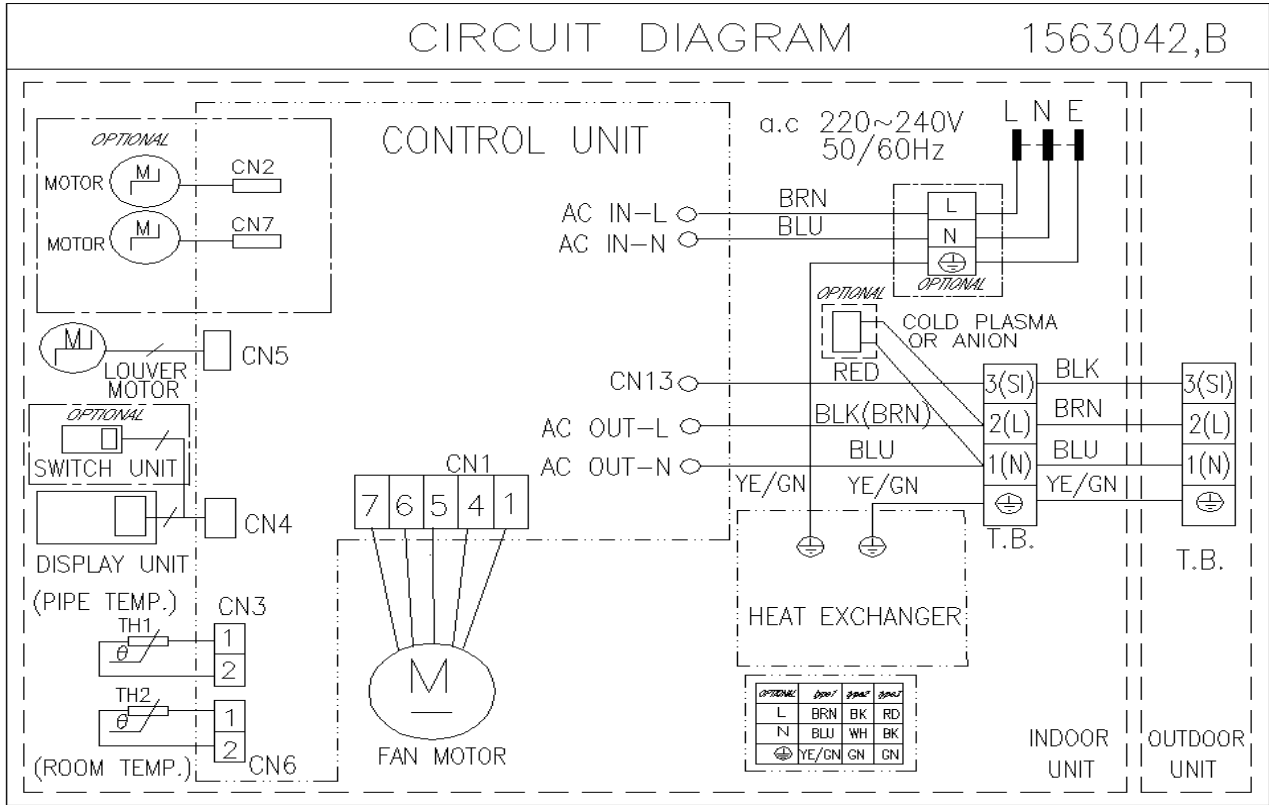
1508588

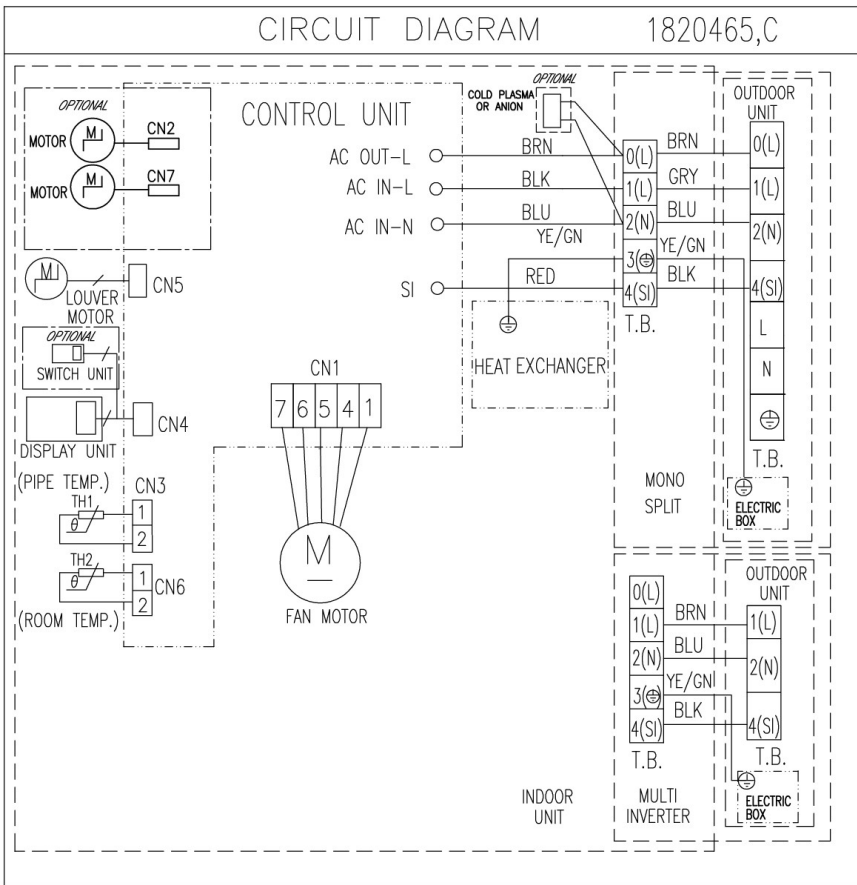
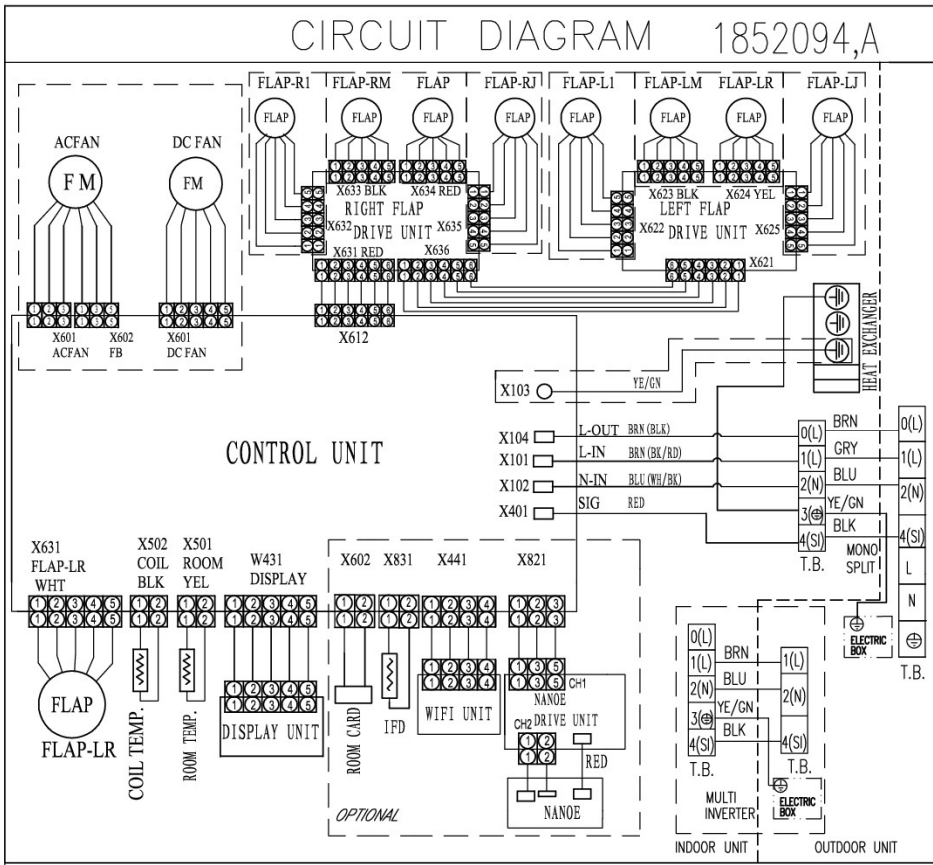






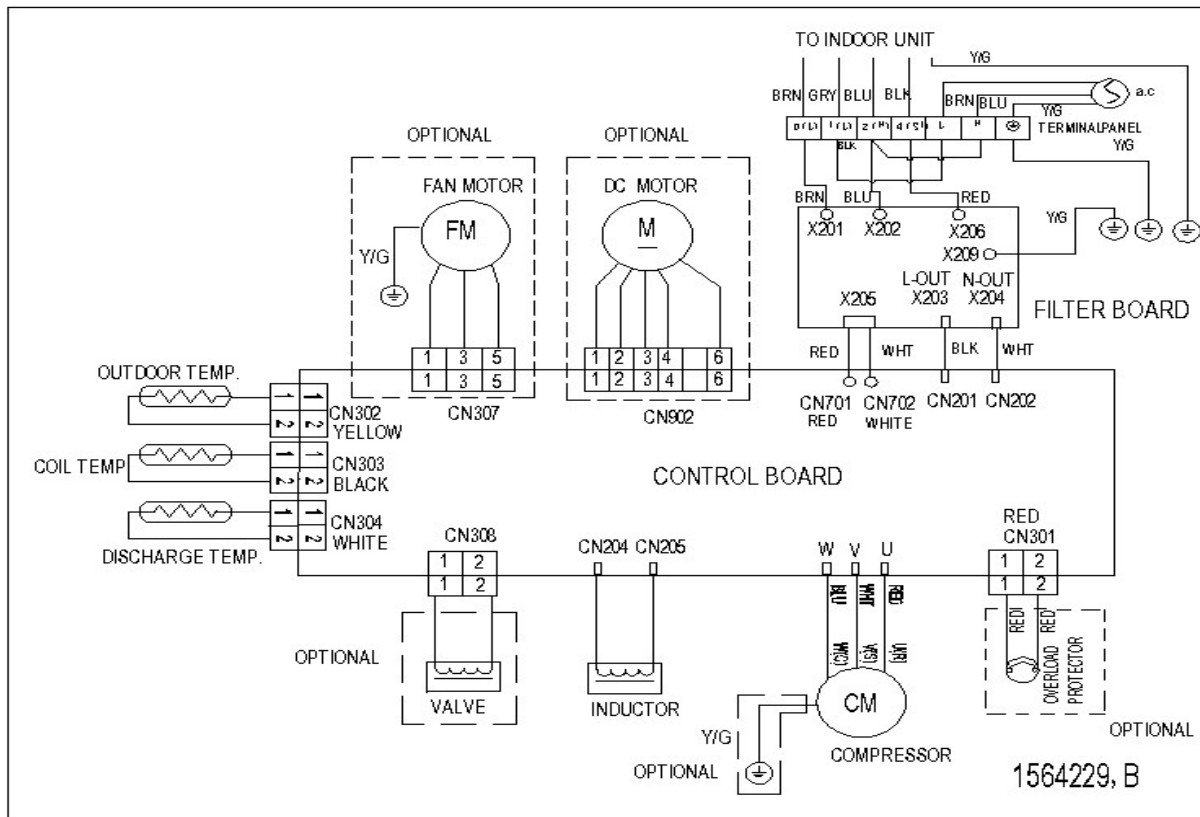




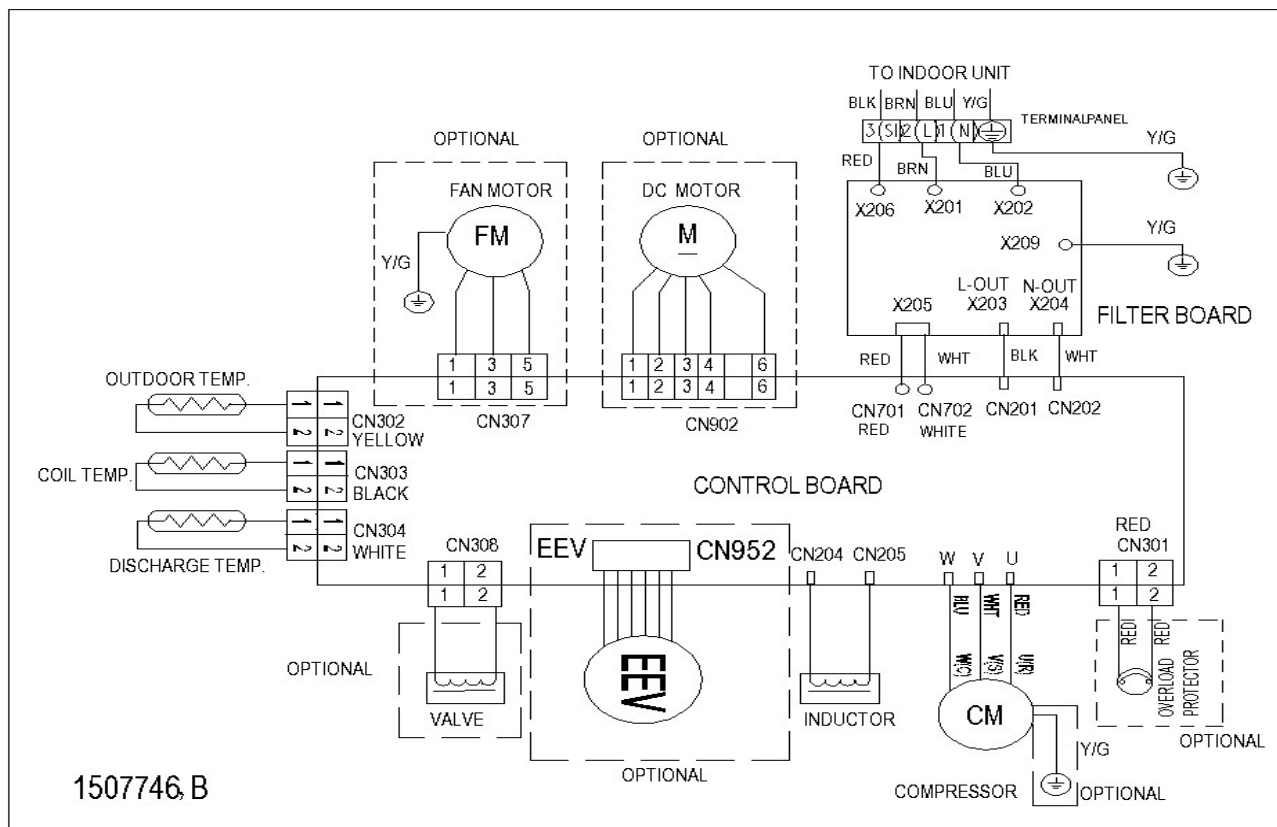


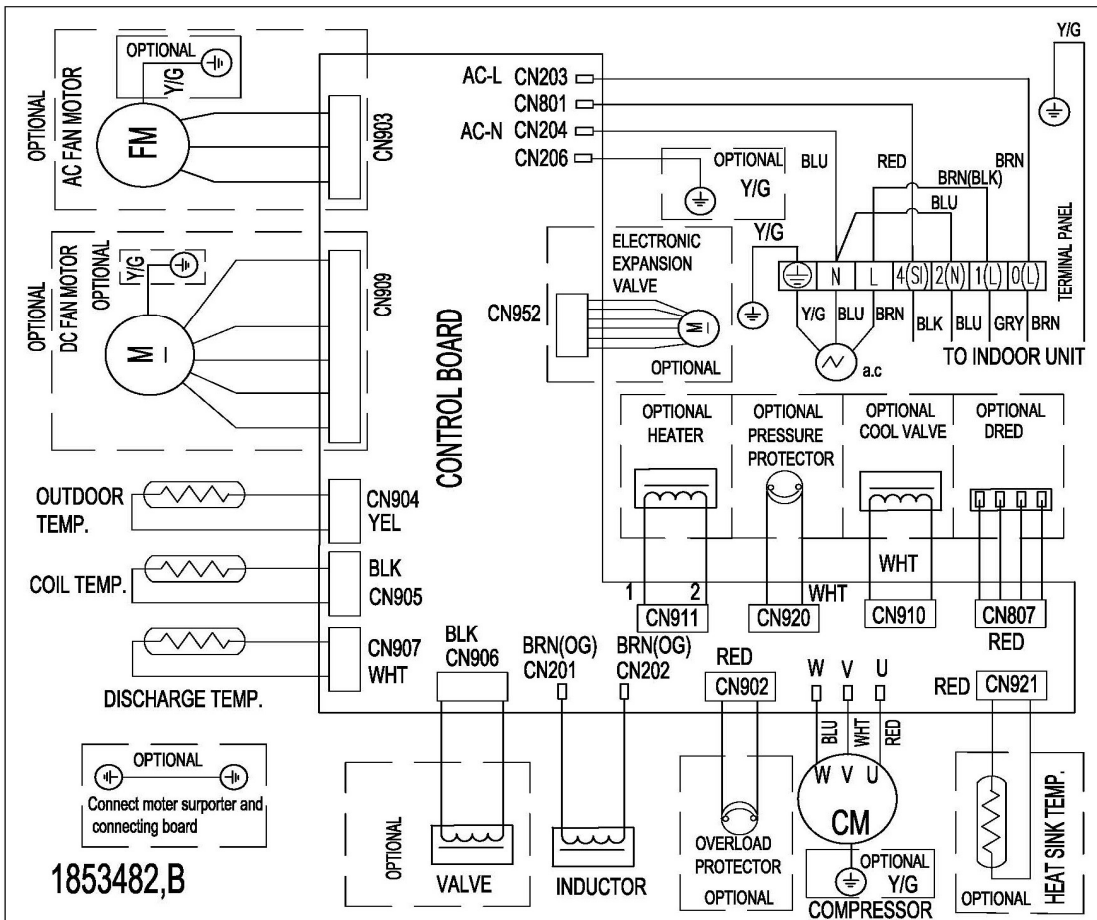
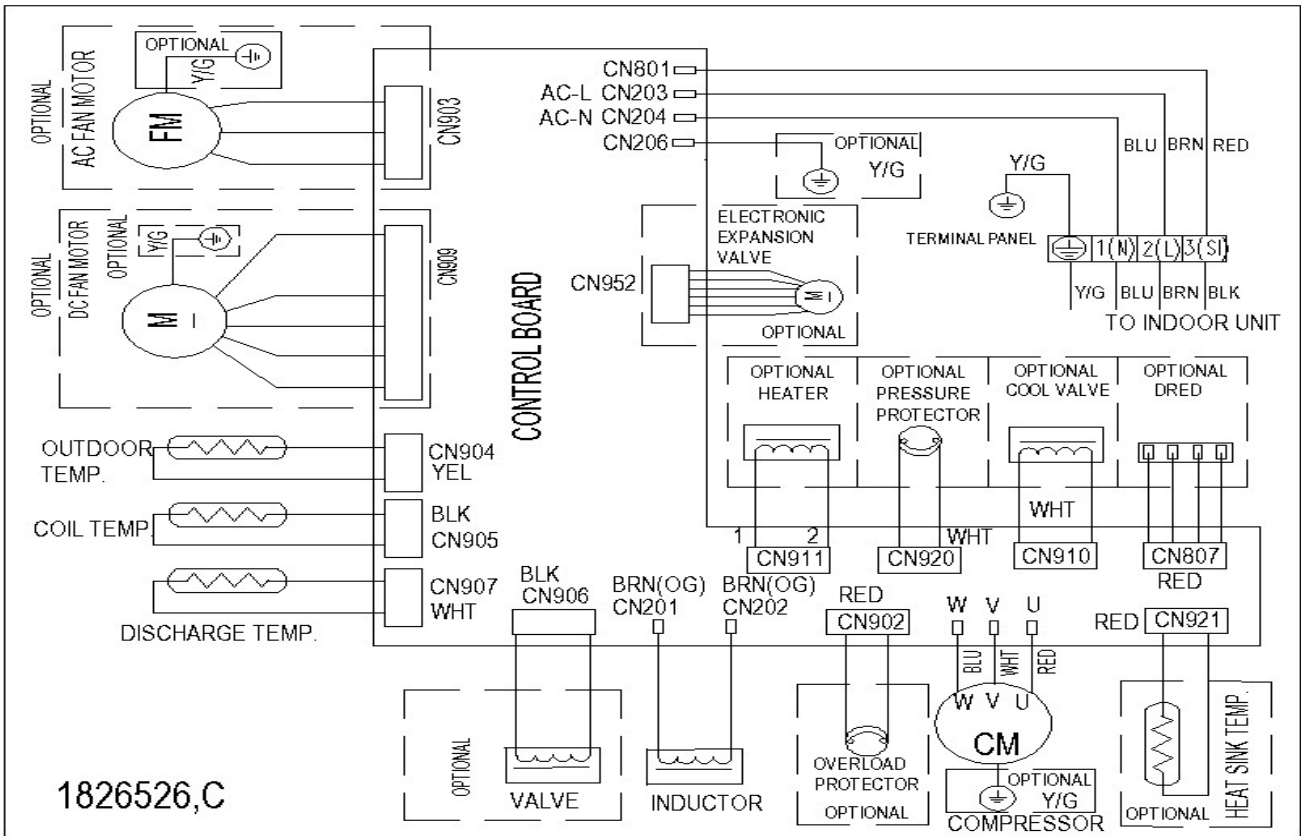
Outdoor Model:

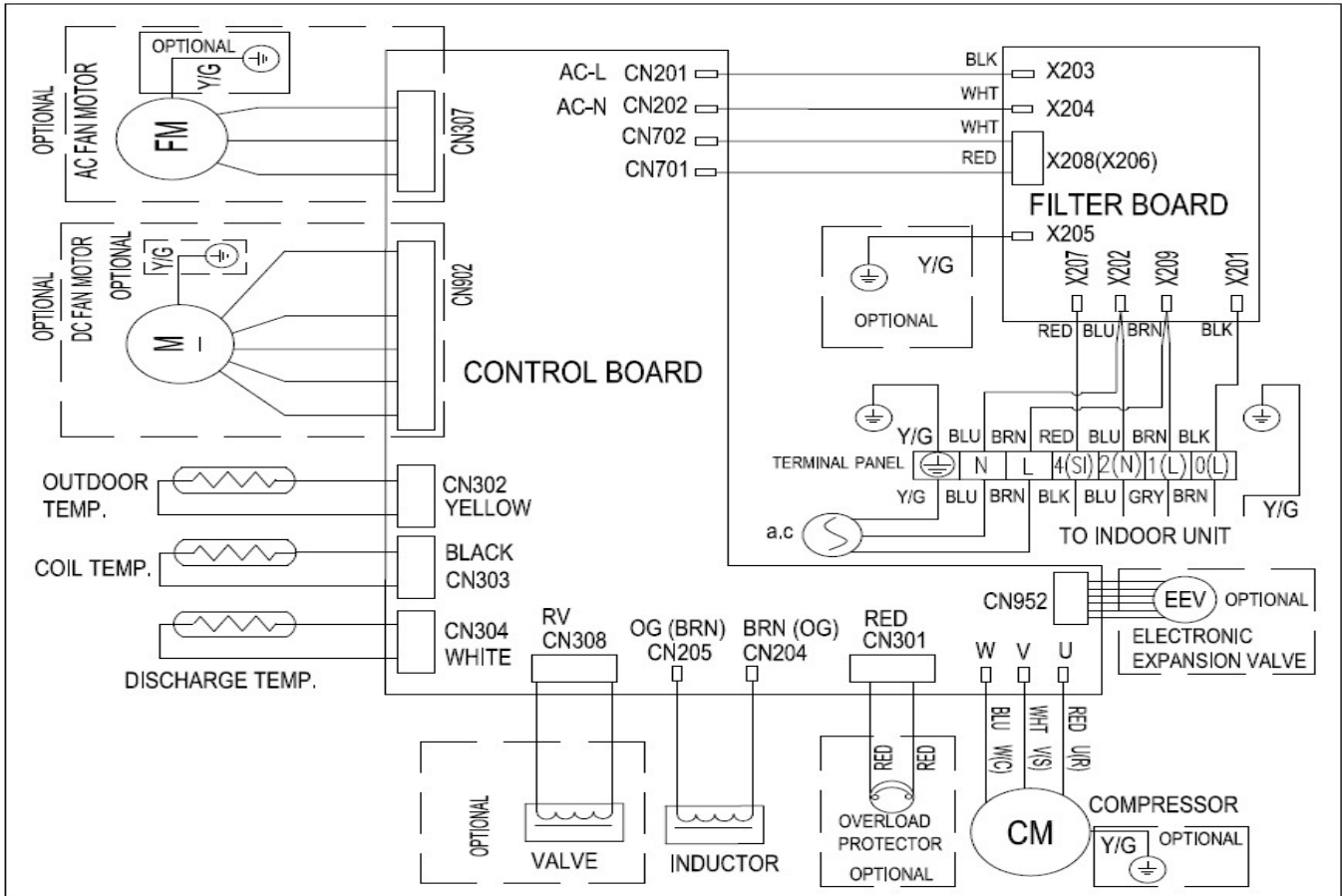
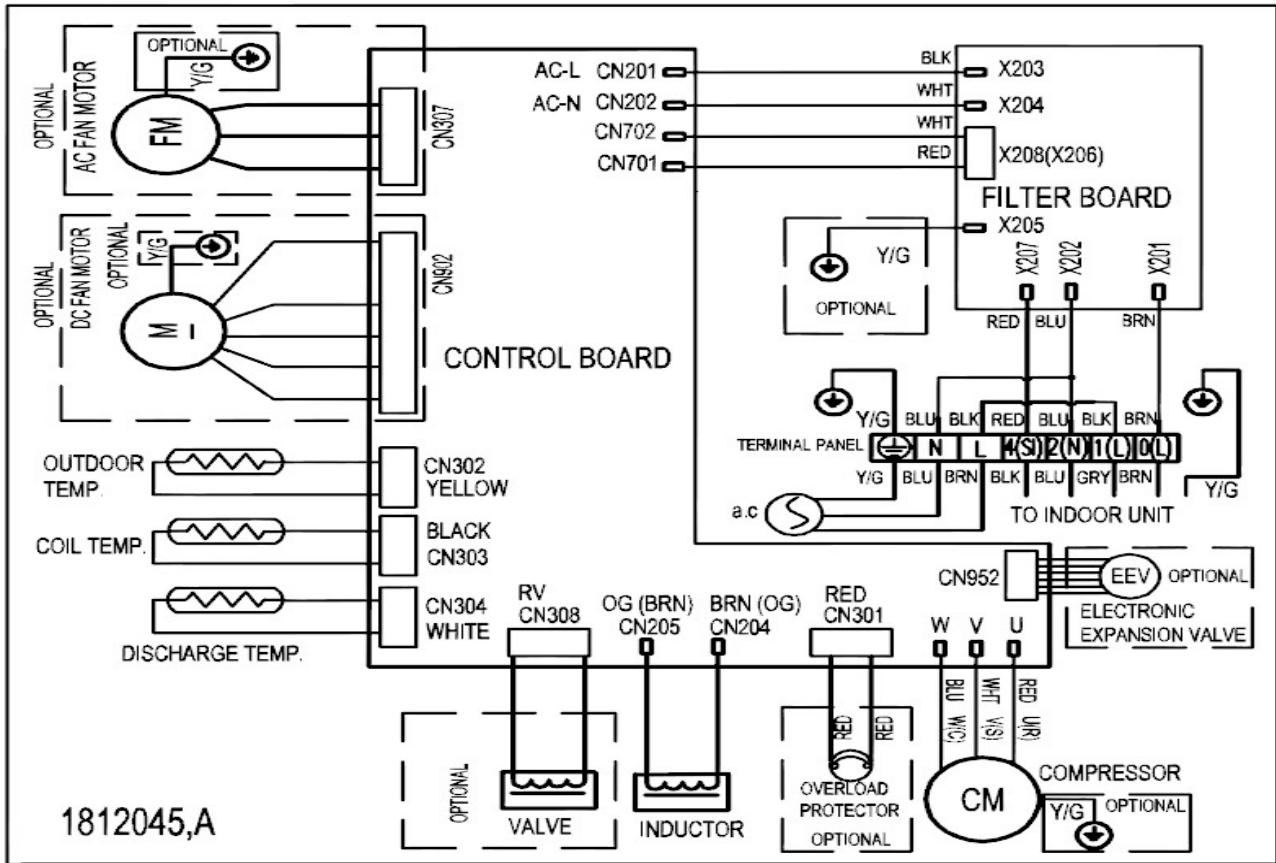
1564229

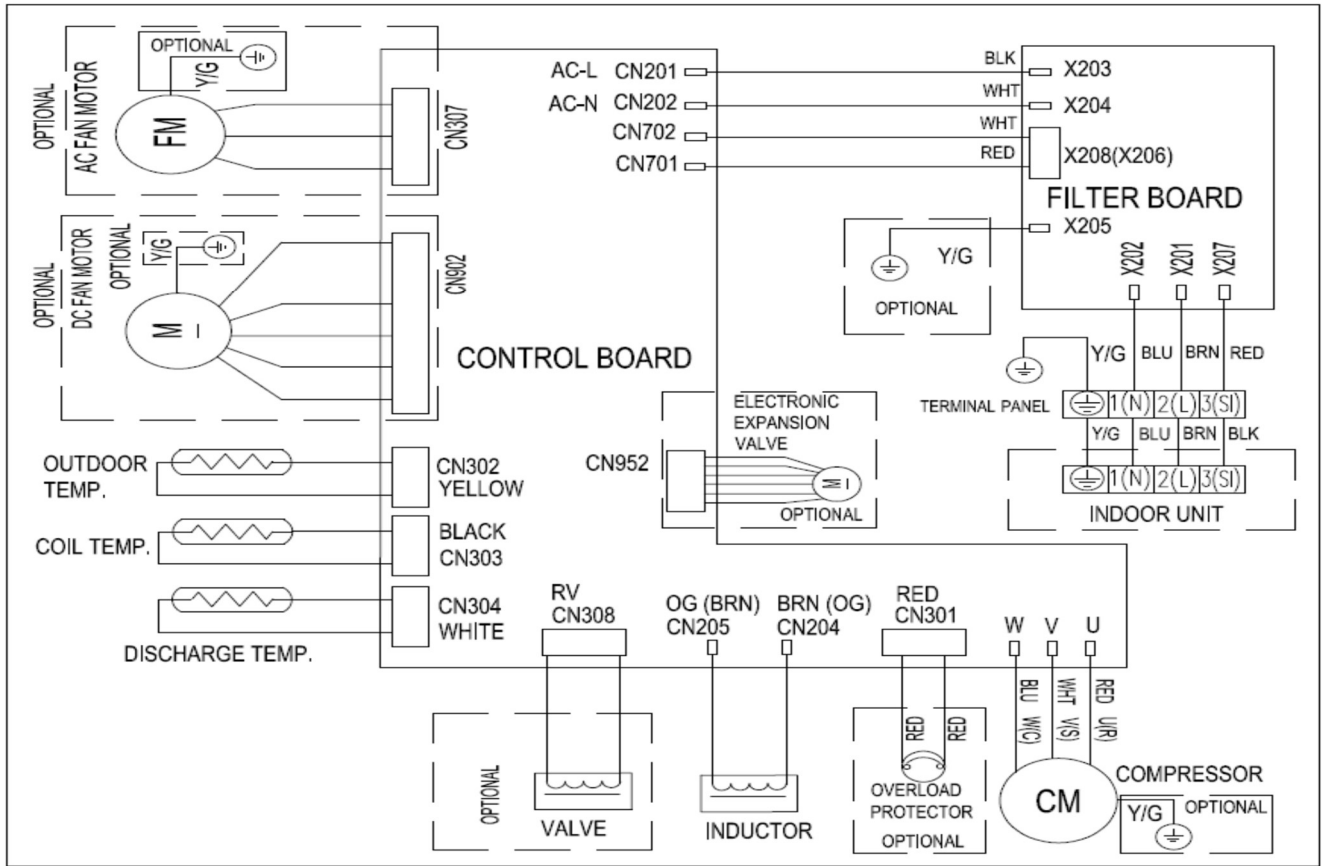


1507746



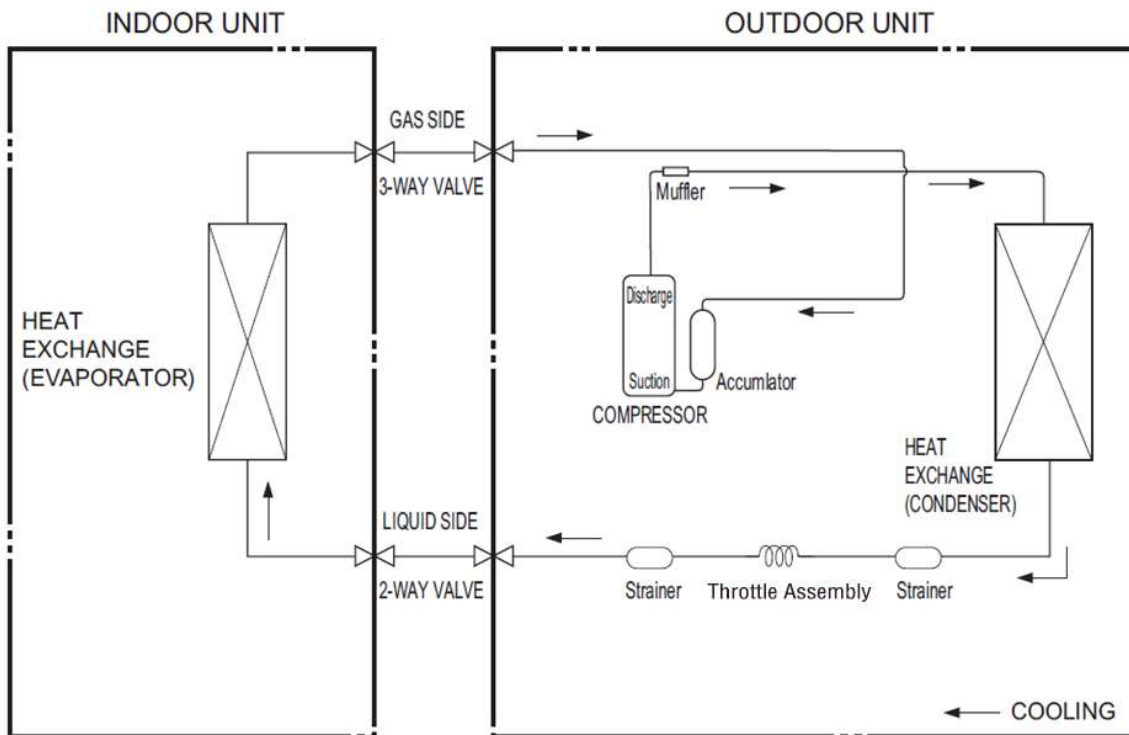




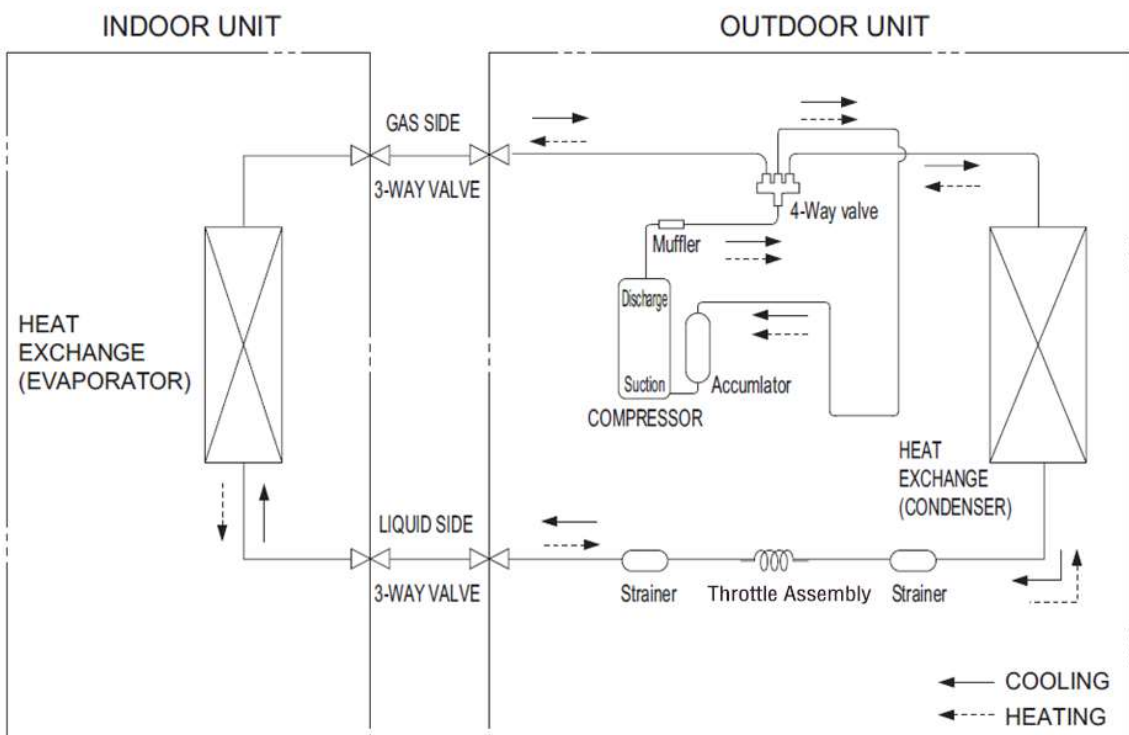


4-3. Refrigerant Flow System

(1) Cooling



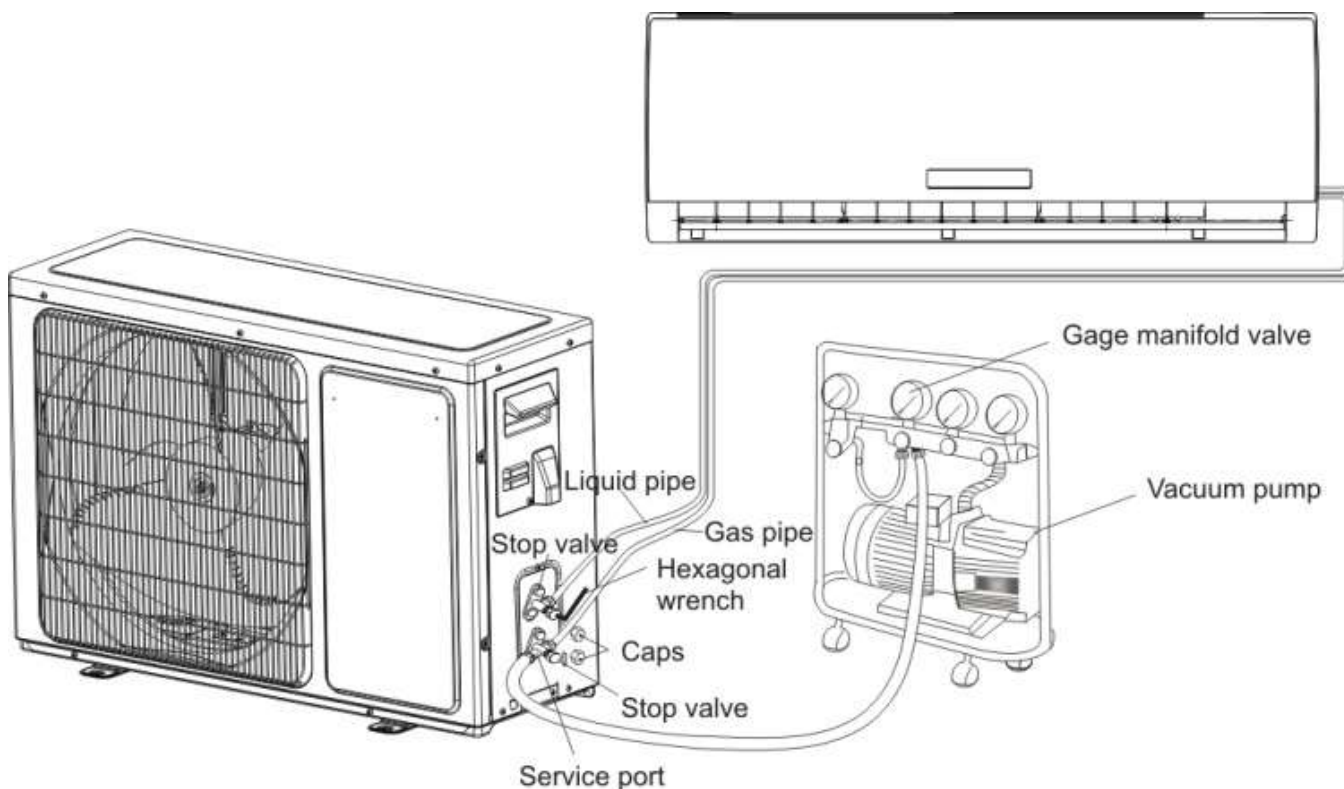
(2) Cooling & Heating



NOTE: In different models, the throttle assembly may be Capillary or Electronic expansion valve.

4-4. Air Purging and Leakage Test

1. Connect charging hose of manifold valve to charge end of low pressure valve (both high/low pressure valves must be tightly shut).
 2. Connect joint of charging hose to vacuum pump.
 3. Fully open the handle of Lo manifold valve.
 4. Open the vacuum pump to evacuate. At the beginning, slightly loosen joint nut of low pressure valve to check if there is air coming inside. (If noise of vacuum pump has been changed, the reading of multimeter is 0) Then tighten the nut.
 5. Keep evacuating for more than 15mins and make sure the reading of multi-meter is -1.0×10^5 pa (-76cmHg).
 6. Check the vacuum with the gage manifold valve, then close the gage manifold valve, and stop the vacuum pump.
 7. Leave it for one or two minutes. Make sure the pointer of the gage manifold valve remains in the same position.
 8. Remove the gage manifold valve quickly from the service port of the stop valve.
- After refrigerant pipes are connected and evacuated, fully open all stop valves on gas and liquid pipe sides.
9. Opening without fully opening lowers the performance and cause dangerous.
 10. Tighten the cap to the service port to obtain the initial status.
 11. Retighten the cap
 12. Leak test



4-5. Test Running

△ Check after Installation

Items to be checked	Possible malfunction
Has it been fixed firmly?	The unit may drop, shake or emit noise.
Have you done the refrigerant leakage test?	It may cause insufficient cooling(heating)capacity
Is heat insulation sufficient?	It may cause condensation and dripping.
Is water drainage satisfactory?	It may cause condensation and dripping.
Is the voltage in accordance with the rated voltage marked on the nameplate?	It may cause electric malfunction or damage the product.
Is the electric wiring and piping connection installed correctly and securely?	It may cause electric malfunction or damage the part.
Has the unit been connected to a secure earth connection?	It may cause electrical leakage.
Is the power cord specified?	It may cause electric malfunction or damage the part.
Are the inlet and outlet openings blocked?	It may cause insufficient cooling(heating)capacity.
Is the length of connection pipes and refrigerant capacity been recorded?	The refrigerant capacity is not accurate.

△Operation Test

1. Before Operation Test

- (1)Do not switch on power before installation is finished completely.
- (2)Electric wiring must be connected correctly and securely.
- (3)Cut-off valves of the connection pipes should be opened.
- (4)All the impurities such as scraps and thrums must be cleared from the unit.

2. Operation Test Method

- (1)Switch on power and press "ON/OFF" button on the remote controller to start the operation.
- (2)Press MODE button to select the COOL, HEAT (Cooling only unit is not available), FAN to check whether the operation is normal or not.

5. Function Operation

5-1. Operation Range (cooling and heating)

	Temperature	Indoor Air Intake Temp.	Outdoor Air Intake Temp
COOLING	Maximum	32°C D.B./23°C W.B.	43 °C D.B./26°C W.B.
	Minimum	21°C D.B./15°C W.B.	-10□ D.B./-11□ W.B.
HEATING	Maximum	27°C D.B./18°C W.B.	24□ D.B./18□ W.B.
	Minimum	20°C D.B./≤15°C W.B	-10□ D.B./-11□ W.B.

5-2. Remote Controller Operation & Function

△Remote Controller Instruction

Remote controller

Remote controller

The remote controller transmits signals to the system.

SMART(invalid for multi system)

Used to enter fuzzy logic operation directly, regardless of the unit is on or off.

POWER

The appliance will be started when it is energized or will be stopped when it is in operation, if you press this button.

SUPER

Used to start or stop the fast cooling/heating. (Fast cooling operates at high fan speed with 16°C (61°F) set temp automatically ; Fast heating operates at auto fan speed with 30°C (86°F) set temp automatically)

IFEEL

Used to set IFEEL mode operation. Press it once, the IFEEL function will be started. Press it again, the IFEEL function will be shut off.

SWING

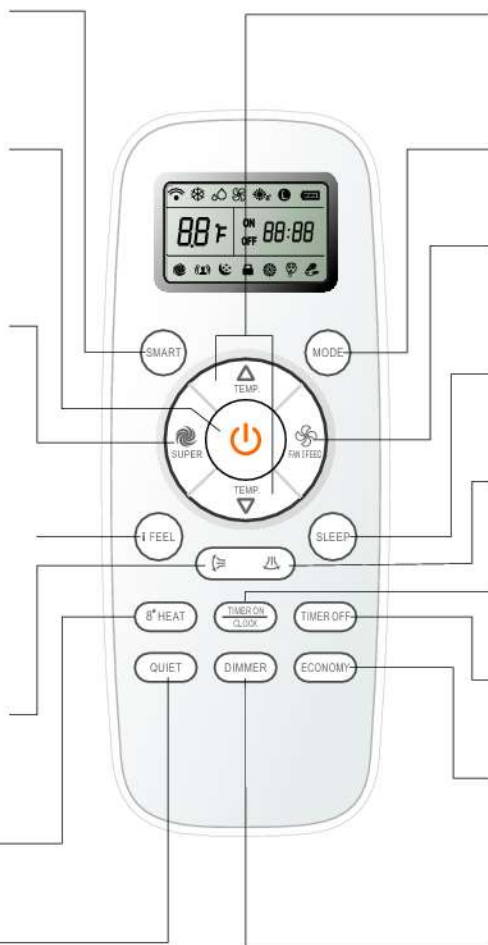
Used to stop or start vertical adjustment louver swinging and set the desired up/down airflow direction.

8 HEAT(optional)

Used to set 8 HEAT Mode.

QUIET

Used to set or cancel Quiet Mode operation.



TEMP + -

Used to adjust the room temperature and the timer, also real time.

MODE

Press this button to select the operation mode.

FAN

Used to select fan speed in sequence auto, higher, high, medium, low and lower.

SLEEP

Used to set or cancel Sleep Mode operation.

SWING

Used to stop or start Horizontal adjustment louver swinging and set the desired left/right airflow direction.

TIMER ON/CLOCK

Used to set or cancel the timer operation and used to set the current time.

TIMER OFF

Used to set or cancel the timer operation.

ECONOMY

Used to set or cancel Economy Mode operation.

DIMMER

When you press this button, all the display of indoor unit will be closed. Press any button to resume display.

Indication symbols on LCD:

	Cooling indicator		Dry indicator		Fan only indicator		8° Heating indicator		Heating indicator
	Auto fan speed		Higher fan speed		High fan speed		Medium fan speed		Low fan speed
	Lower fan speed		Sleep 1 indicator		Sleep 2 indicator		Sleep 3 indicator		Sleep 4 indicator
	Smart indicator		Quiet indicator		Economy indicator		Super indicator		Display set timer Display current time
	Signal transmit		Ifeel		Lock indicator		Display temperature		Battery power indicator

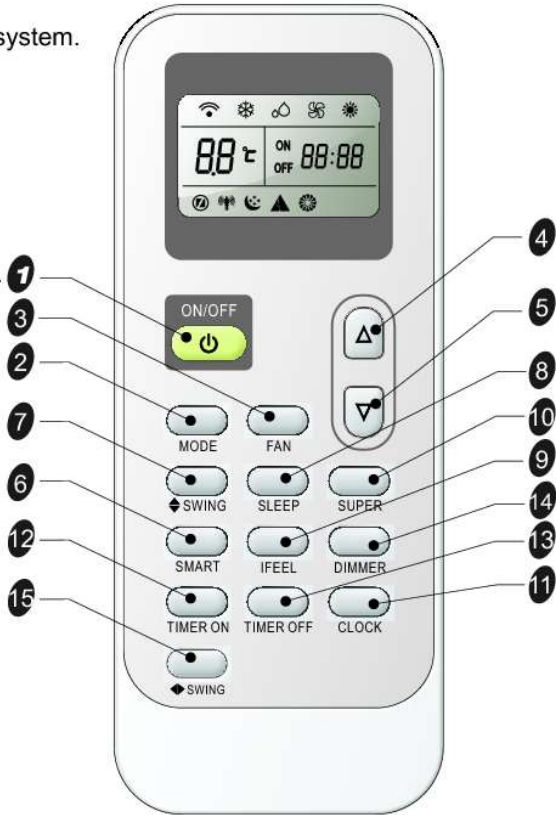
Note: Each mode and relevant function will be further specified in following pages.

Remote controller

Remote controller

The remote controller transmits signals to the system.

- 1 ON/OFF BUTTON**
The appliance will be started when it is energized or will be stopped when it is in operation, if you press this button.
- 2 MODE BUTTON**
Press this button to select the operation mode.
- 3 FAN BUTTON**
Used to select fan speed in sequence auto, high, medium or low.
- 4 5 ROOM TEMPERATURE SETTING BUTTONS**
Used to adjust the room temperature and the timer, also real time.
- 6 SMART BUTTON**(invalid for some models)
Used to enter fuzzy logic operation directly, regardless of the unit is on or off.
- 7 SWING BUTTON**(invalid for some models)
Used to stop or start vertical adjustment louver swinging and set the desired up/down airflow direction.
- 8 SLEEP BUTTON**
Used to set or cancel Sleep Mode operation.
- 9 IFEEL BUTTON**
Used to set IFEEL mode operation. Press it once, the IFEEL function will be started. Press it again, the IFEEL function will be shut off. Advice to put the remote controller in the place where the indoor unit receive signal easily. Advice to cancel the IFEEL mode so as to save energy when stopping the air conditioner.
- 10 SUPER BUTTON**
Used to start or stop the fast cooling/heating. (Fast cooling operates at high fan speed with 16°C set temp automatically ; Fast heating operates at auto fan speed with 30°C set temp automatically)



- 11 CLOCK BUTTON**
Used to set the current time.
- 12 13 TIMER ON/OFF BUTTON**
Used to set or cancel the timer operation.
- 14 DIMMER BUTTON**(invalid for some models)
When you press this button, all the display of indoor unit will be closed. Press any button to resume display.
- 15 SWING BUTTON**(invalid for some models)
Used to stop or start Horizontal adjustment louver swinging and set the desired left/right airflow direction.

Indication symbols on LCD:

Cooling indicator	Auto fan speed	Smart indicator	Signal transmit
Dry indicator	High fan speed	Sleep indicator	ON 88:88 Display set timer
Fan only indicator	Medium fan speed	Ifeel	OFF 88:88 Display current time
Heating indicator	Low fan speed	Super indicator	88 °C Display temperature

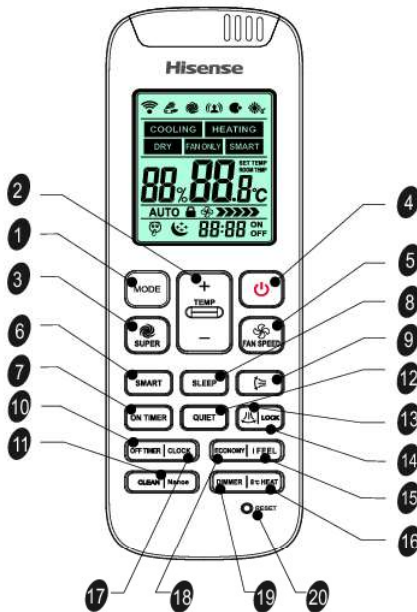
Note: Each mode and relevant function will be further specified in following pages.

Remote controller

Remote controller

The remote controller transmits signals to the system.

- 1 MODE**
Press this button to select the operation mode.
- 3 SUPER**
Used to start or stop the fast cooling/heating. (Fast cooling operates at high fan speed with 16°C set temp automatically; Fast heating operates at auto fan speed with 30°C set temp automatically)
- 6 SMART (invalid for multi system)**
Used to enter fuzzy logic operation directly when the unit is on.
- 8 SLEEP**
Used to set or cancel Sleep Mode operation.
- 7 ON TIMER**
Used to set or cancel the timer operation.
- 10 OFF TIMER**
Used to set or cancel the timer operation.
- 11 CLEAN/Nanoe (optional)**
When the model is off, click this button to enter the auto-clean mode and then the indicator "CL" will display on LCD. Press POWER or MODE button can escape from auto-clean mode. Mode operation.
When the model is on, press this button about 5 seconds to enter Nanoe mode operation and then the Nanoe indicator will display on LCD. Press about 5 seconds again to escape from Nanoe mode operation.
- 12 QUIET**
Used to set or cancel Quiet Mode operation.
- 16 8°C HEAT (optional)**
Used to start or stop 8°C HEAT Mode.



- 17 CLOCK**
Used to set the current time.
- 18 ECONOMY**
Used to set or cancel Economy Mode operation.
- 19 DIMMER**
When you press this button, all the display of indoor unit will be closed. Press any button to resume display.
- 20 RESET**
Used to reset the remote and all operations.

- 2 TEMP + -**
Used to adjust the room temperature and the timer, also real time.
- 4 POWER**
The appliance will be started when it is energized or will be stopped when it is in operation, if you press this button.
- 5 FAN**
Used to select fan speed in sequence auto, higher, high, medium, low and lower.
- 9 SWING**
Used to stop or start vertical adjustment louver swinging and set the desired up/downairflow direction.
- 13 SWING (optional)**
Used to stop or start Horizontal adjustment louver swinging and set the desired left/right airflow direction.
- 14 LOCK**
Press this button for about 5 seconds once to start LOCK mode. Press this button for about 5 seconds once again to stop it.
- 15 iFEEL**
Press to set iFEEL Mode operation. In iFEEL mode, the Air Conditioner operates basis temperature sensor fitted in remote instead of machine, Advice to use iFEEL mode and the remote put where the indoor unit receive signal easily. Press this button above 5 seconds, start or stop iFEEL mode.

Indication symbols on LCD:

Cooling indicator	Dry indicator	Fan only indicator	8°C Heating indicator	Heating indicator
Auto	Higher fan speed	High fan speed	Medium fan speed	Low fan speed
Lower fan speed	Sleep 1 indicator	Sleep 2 indicator	Sleep 3 indicator	Sleep 4 indicator
Smart indicator	Quiet indicator	Economy indicator	Super indicator	Display set timer Display current time
Clean indicator	Signal transmit	Nanoe indicator	iFeel	LOCK
			Display temperature	

Note: Each mode and relevant function will be further specified in following pages.

Remote controller

Remote controller

The remote controller transmits signals to the system.

1 MODE

Press this button to select the operation mode.

3 SLEEP

Used to set or cancel Sleep Mode operation.

6 SUPER

Used to start or stop the fast cooling/heating. (Fast cooling operates at high fan speed with 16°C (61°F) set temp automatically ; Fast heating operates at auto fan speed with 30°C (86°F) set temp automatically)

8 ON TIMER

Used to set or cancel the timer operation.

9 QUIET

Used to set or cancel Quiet Mode operation.

11 OFF TIMER

Used to set or cancel the timer operation.

12 SMART (invalid for multi system)

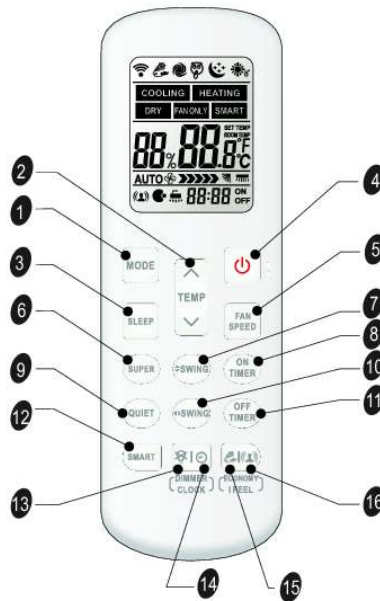
Used to enter fuzzy logic operation directly when the unit is on .

13 DIMMER

When you press this button, all the display of indoor unit will be closed. Press any button to resume display.

14 CLOCK

Used to set the current time.



15 ECONOMY

Used to set or cancel Economy Mode operation.

2 + 7 8°C HEAT (optional)

Used to start or stop 8°C HEAT mode.

2 TEMP

Used to adjust the room temperature and the timer, also real time.

4 POWER

The appliance will be started when it is energized or will be stopped when it is in operation, if you press this button.

5 FAN SPEED

Used to select fan speed in sequence auto, higher, high, medium, low and lower.

7 SWING

Used to stop or start vertical adjustment louver swinging and set the desired up/downairflow direction.

10 SWING

Used to stop or start Horizontal adjustment louver swinging and set the desired left/right airflow direction.

16 IFEEL

Press to set IFEEL Mode operation. In IFEEL mode, the Air Conditioner operates basis temperature sensor fitted in remote instead of machine. Advice to use IFEEL mode and the remote put where the indoor unit receive signal easily. Press this button above 5 seconds, start or stop IFEEL mode.

Indication symbols on LCD:

COOLING Cooling indicator	DRY Dry indicator	FAN ONLY Fan only indicator	HEATING Heating indicator	SMART Smart indicator
Auto Auto fan speed	Higher fan speed	High fan speed	Medium fan speed	Low fan speed
Lower fan speed	Quiet indicator	Economy indicator	Super indicator	Sleep indicator
IFEEL	Display temperature	Display set timer	Display current time	8°C Heat indicator

Note: Each mode and relevant function will be further specified in following pages.

△Function Instruction

1. Major general technical parameters

- 1-1 Remote receiver distance (front of the air conditioner) : 8 m.
- 1-2 Remote receiver angle: Less than 60 degrees.
- 1-3 Temperature control accuracy: $\pm 1^{\circ}\text{C}$.
- 1-4 Time error: Less than 1%.

2. Functions of the controller

2-1 Display panel

I. Control functions of the remote controller (See operating and installation manual)

II. Display of the indoor unit

Information on the screen:

Displaying Scheme:

7-segment tube: Display set temperature or indoor temperature , and display fault code in trouble indicating. An error code is displayed according to the signal from the indoor CPU. The error code will flash for 5 seconds while displayed.

Running LED: It is on during operation. It is flashing when the unit defrost.

TIMER LED: When the timer mode works, the LED will be lighted.

Sleep LED: When the sleep mode works, the LED will be lighted, and after 10s, the LED will be off.

Compressor LED: It lights up when compressor is running.

Remote control receiver: This section receives signals from the remote control.

3. Control function

3-1 Emergency switch

If the appliance under the Stand-by state, all the Operation Mode, Air volume, Temperature Setting , Forced Cooling function will be restored as the last time setting when you press on the "ON/OFF" button, but lost the Air flow direction setting.

If the appliance was connected to the power at first time, it would operate in the auto mode, It will keep in stand-by state if you press the "ON/OFF" button during the normal operation.

When the appliance under the Stand-by state, press and hold the emergency switch for 5 seconds, the buzzer rings for 1 times, and it will operate in cooling mode, and the indoor fan speed is set to high-speed, it running has nothing to do with the room temperature.

When press the emergency switch or receive the signal of the remote control, it will exit this mode, and it will operate with the corresponding order.

3-2 Operator-machine communication

If the unit has I feel function, when the I feel function is set by the remote control, the room temperature will depend on the remote control and it will be detected by the sensor of the remote control. Normally the remote control will automatically transmits a signal at an interval of 10 minutes (only for H1 remote control, it is 9 minutes) , but if the room temperature changed exceed 1°C in a short period of time, the remote control will transmits a signal within 2 minutes. If the indoor unit has not received a remote signal within 30 minutes, the room temperature will depend on the room temperature sensor of indoor unit.

3-3 Timer function

Real time of Timer setting

- (1) The max Timer ranges is 24 hours.
- (2) Timer ON/OFF
- (3) Timer ON/OFF can be set available in turn.
- (4) The Timer accurate more than 97%
- (5) The Timer can be adjusted by 1 min increase.
- (6) The appliance can be set the ON-Timer and OFF-Timer in the same time, but no any timer setting indicated.

3-4 Sleep

- (1) The Sleep mode can only be set during Cool, Heat and Dry mode.
- (2) When the appliance run in the Sleep mode, it will stop after 8 hours operation, then it will cancel the Sleep setting. When the appliance operate under the OFF-Timer setting condition, if the OFF-Timer setting less than 8 hours, it will keep the Sleep mode till the OFF-Timer setting; if the OFF-Timer setting more than 8 hours, it will cancel the OFF-Timer setting after the Sleep mode OFF.
- (3) When the Sleep mode is select with Cooling mode, if the room temperature not less than 26°C, the setting temperature will not be adjusted, otherwise, the setting temperature will be raised by 1°C per hour, but the max setting temperature raise is 1°C.
- (4) When the Sleep mode is select with Heat mode, the setting temperature will be decreased by 1°C per hour during the successive 3 hour, but the max setting temperature decrease is 3°C.
- (5) When the appliance operate with Sleep mode, the indoor fan run in the LOW setting, and the air flow direction same as the last setting and the temperature and air flow direction can be adjusted by user. The Running indicator will be flashed 10 times per 1 Hz frequency, then all the indicators turn OFF except the Sleep light after 5 min elapse. Those indicators will be recovery when the temperature or Time setting is adjusted, after the setting, the indicators will be lit in 10 sec, then turn OFF.

3-5 Automatic run (SMART) mode

When the appliance operates at the smart, the air flow direction can be adjusted.

- (1) H/C appliance
 - a. When the setting temperature is 26°C, the appliance will be ran in the Cool if the room temperature exceeds 26°C.
 - b. When the room temperature exceeds 23°C, but below 26°C, it will be ran in the Dry mode(It will turn in Automatic setting After 3 min LOW air volume running.).
 - c. When the room temperature exceeds 21°C, but below 23°C, it will be operated in the Fan only, the air volume is set by LOW and the fan speed can be adjusted
 - d. When the room temperature is not more than 21°C, it will be operated in Heat mode, and the temperature is set to 22°C.
- (2) Cool only appliance
 - a. When the room temperature exceeds 26°C, it will be ran in Cool mode, and the temperature is set to 26°C.
 - b. When the room temperature exceeds 23°C, but not more than 26°C, it will be operated in the Dry mode.
 - c. When the room temperature is not more than 23°C, it will be operated in the Fan only, the air

volume is set to LOW and the fan speed can be adjusted

After the appliance start the smart operation, the setting temperature can be adjusted 2°C or 7°C (based on the remote mode)(the min accuracy is 1°C) up and down base on the automatic temperature setting, also the presetting temperature of PCB circuit.

In case of the specific operation selected, it could be re-select the other modes after the compressor ceased for 5 min or the setting temperature changed.

3-6 Cooling-run mode

3-6-1 Outdoor Fan

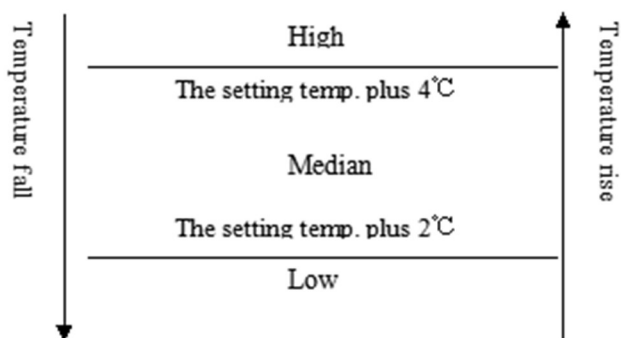
The outdoor fan's speeds except the single speed motor can be changed according to outdoor ambient temperatures.

When operating at a fixed frequency, the outdoor fan is forced to operate at the high speed.

3-6-2 Indoor fan operation

(1) When the indoor fan keep in running condition, this operation state could be controlled by the remote control with High, Median, Low and Automatic setting.

(2) When the appliance is set Automatic condition in the Cool mode for the first time, the fan speed will run at Low setting. After that, temperature and fan speed is shown as following.



When the difference between the setting temperature and the room temperature equal to 2°C or 4°C, the indoor fan speed will keep in current speed.

3-6-3 Air flow direction control

The louver is derived by a step motor, and it swings the horizontal louver automatically. Press the SWING button to swing or stop the louver.

During the louver swing in normal operation, the current position will be stored. When the appliance turn off and louver swing automatically to the default position, it will position at the close position plus 5°.

3-6-4 4-way valve

State: It is interrupted in cooling.

Switchover: When initially powered on for cooling, the 4-way valve is interrupted immediately.

When the heating is changed to the cooling, it needs an interval of 50 seconds for the 4-way valve to

change over from being activated to being interrupted.

3-7 Heating-run mode

3-7-1 Temperature compensation

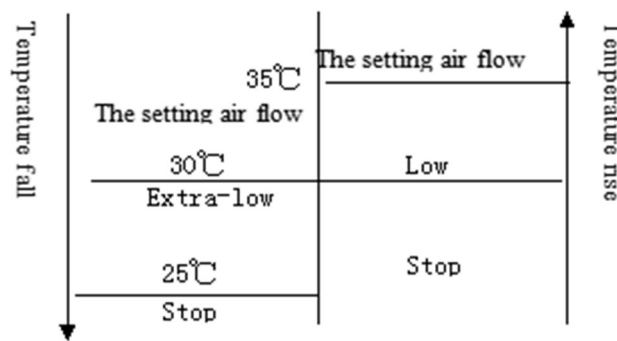
The temperature compensation is 5° in heating mode. For example, if the set temperature is 25°C by the remote control, when the room temperature is detected with 31°C, the compressor will turn off. The main reason is that the hot air is condensed at the top of the house.

Note: The compensation is available only if the room temperature sensor of indoor unit is used and it is not available when it is subject to the sensor on the remote control.

3-7-2 Indoor fan motor operation

Anti-cold air system:

When the appliance run in Heat mode condition, the indoor fan motor operation is shown as following to prevent the cooling air come out during the appliance operation.

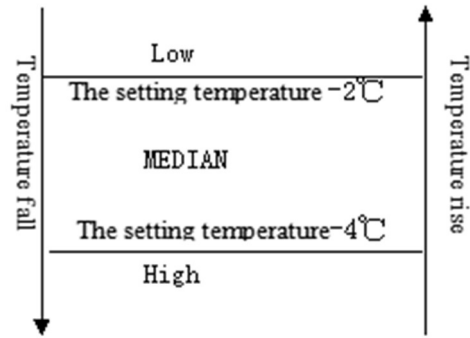


When the appliance turn in the anti-cold air system in the Extra-LOW (Tapped motor set in LOW, sic passim) during the compressor operation, the louver swang to the Cool air protection position, the louver recovers to the original position after the air volume change to LOW. When the room temperature reach to the setting temperature, the compressor will be turn off, and the air flow change to LOW, the louver swang to the Cool air protective position to prevent the air drop into human body directly; when the indoor pipe coil temperature drop continuously, it will turn in the Cooling air protective system in the Extra-LOW or stop the fan motor.

The indoor fan motor is only controlled by the signal of indoor pipe coil temperature, no matter the compressor turn ON/OFF, even the appliance turn in Heat mode at first time.

The indoor fan motor will operate according to the different setting(High, Median, Low and Automatic) by the remote control, but the anti-cold air system is prior.

When the appliance run in the Heat mode with the Automatic setting at first time, the fan speed will be in the LOW setting, and the operation diagram is shown as following



When the difference between the setting temperature and the room temperature equal to 2°C or 4°C, the indoor fan speed will keep in current speed.

3-7-3 Air flow direction control

The horizontal louver is controlled by a step motor, press the SWING button to swing or stop the louver.

During the louver run in normal operation, the current position will be stored. When the appliance turn off and louver swing automatically to the default position, it will position at the default position plus 5°.

4-3-8-4 Outdoor fan

The outdoor fan speeds except single speed motor can be changed according to outdoor ambient temperatures.

3-7-6 4-way valve

State: It is electrified in heating.

Switchover: When initially powered on for heating, the 4-way valve is activated immediately.

In the change from cooling to heating, it needs an interval of 50 seconds for the 4-way valve to change over from being interrupted to being activated.

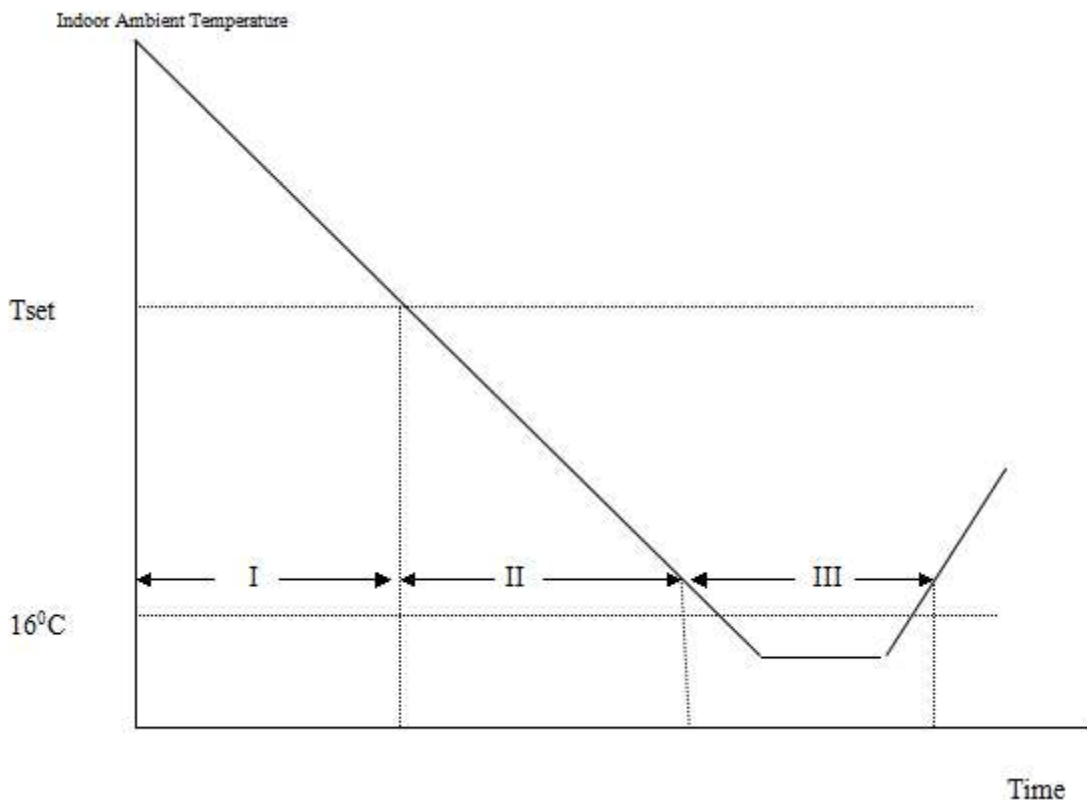
3-8 The super function (option)

In cooling mode, when you press the SUPER button by remote control, the unit will operate for 15 minutes with the following setting:

- a. The set temperature is 16°C;
- b. The fan speed with highest speed;
- c. The compressor runs with high frequency.

3-9 Dehumidifying mode

The dehumidifying mode is illustrated as follows:



Dehumidifying area I: Operation at the frequency in the range (30–60Hz) according to Dt ($T_{\text{indoor ambient}} - T_{\text{set}}$).

$Dt(^{\circ}\text{C})$	$f(\text{Hz})$
0	30
0.5	30
1	40
1.5	50
≥ 2	60

Dehumidifying area II: The compressor stops for 5 minutes and operators for 5 minutes at the lowest frequency.

Dehumidifying area III: The compressor stops.

3-10 Fan Only Mode Operation

During the appliance run in this mode, the compressor and outdoor fan stop, the indoor fan operate under the pre-setting of air volume, and the louver swing, and the indoor fan speed same as the Heating Mode.

5-3. Special Function Fnstruction

Conditions of anti-freezing prohibition of frequency rising:

Condition 1: in the case of anti-freezing frequency decreasing, the temperature of indoor heat exchanger rises to

“anti-freezing frequency decreasing temperature”.

Condition 2: in normal operation, the temperature of indoor heat exchanger reaches “anti-freezing prohibition of frequency rising temperature”.

Either of the above two conditions is met, the product will enter anti-freezing prohibition of frequency rising state. Anti-freezing prohibition of frequency rising operation: the compressor is kept at the current frequency, which may decrease according to situations while cannot rise. The outdoor fan runs.

Condition for the end of anti-freezing prohibition of frequency rising state: when the temperature of indoor heat exchanger rises to “anti-freezing releasing temperature”, the state of anti-freezing prohibition of frequency rising is released.

Conditions for defrosting:

A: When the heating compressor consecutively runs for 40 minutes (EEPROM setting value at the current operating mode);

B: If the ambient temperature minus the temperature of coiled pipe is equal to or higher than six degrees centigrade (EEPROM setting value in the current operating mode);

C: If the temperature of coiled pipe is equal to or lower than minus two degrees centigrade (EEPROM setting value in the current operating mode);

If the above three conditions are met simultaneously, defrosting begins.

Defrosting actions:

The compressor stops, and the outdoor fan stops after delay of 30 seconds; in 50 seconds the four-way valve is power off; and in 10 seconds the compressor starts and runs at “defrosting frequency”.

Conditions for ending defrosting:

Defrosting is over if either of the below conditions is met.

A: The accumulated time of defrosting is longer than 12 minutes (EEPROM setting value in the current operating mode);

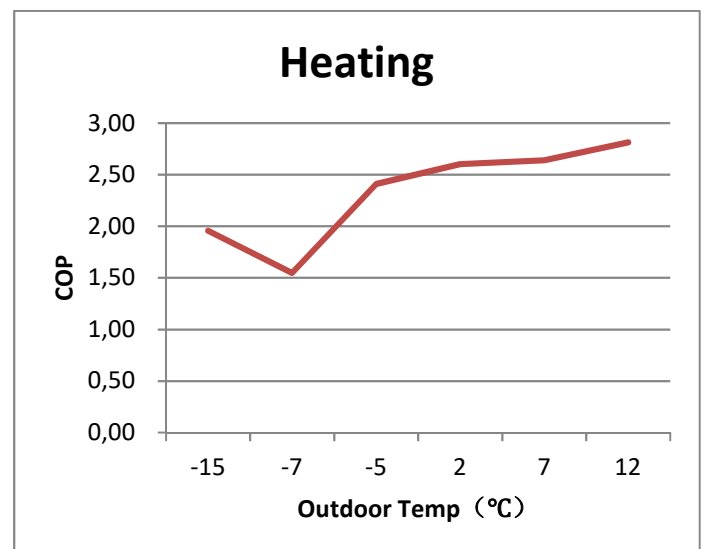
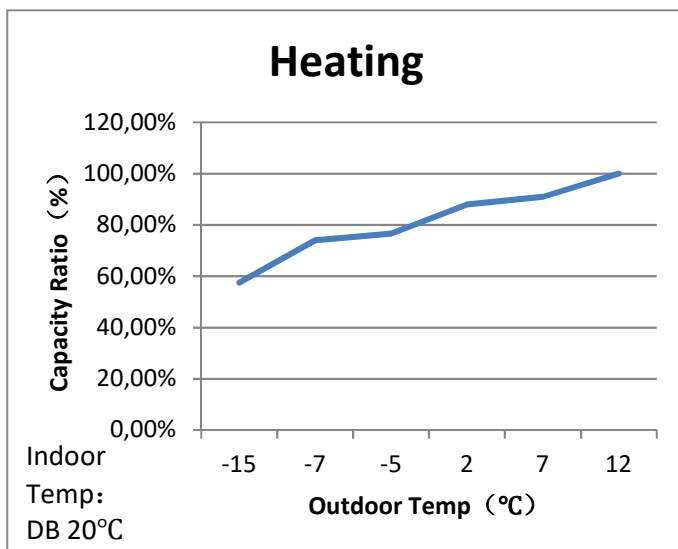
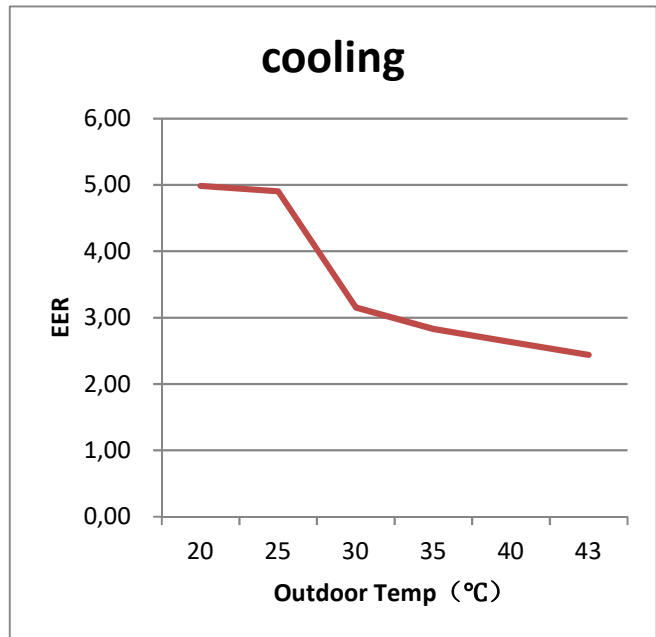
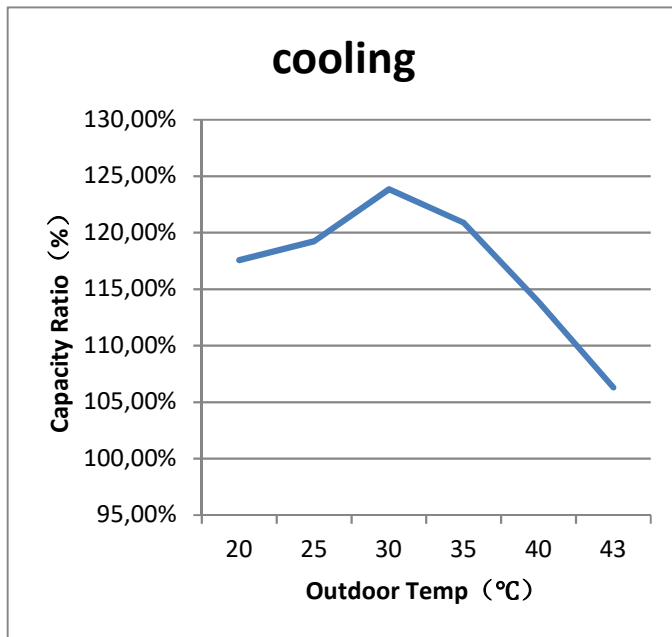
B: If the temperature of coiled pipe is equal to or higher than 14 degrees centigrade (EEPROM setting value in the current operating mode);

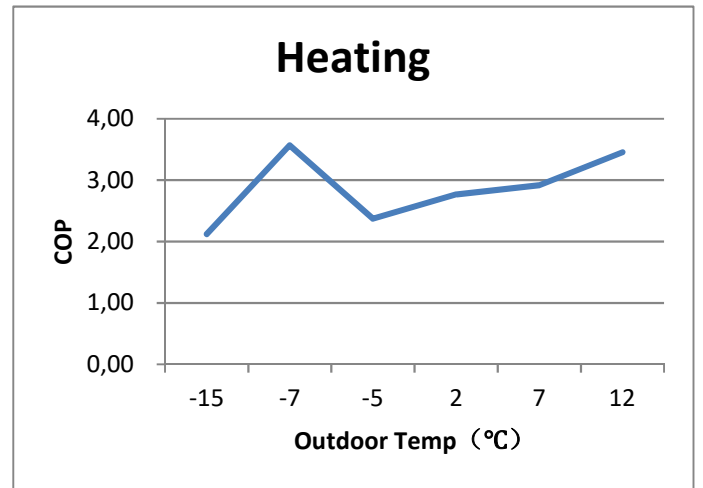
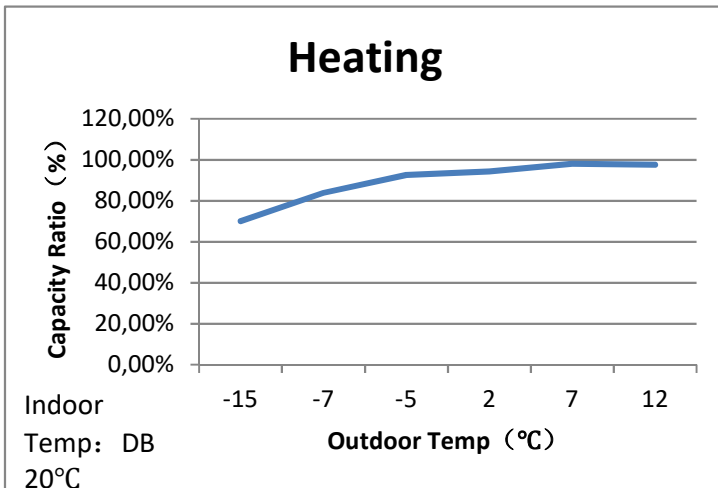
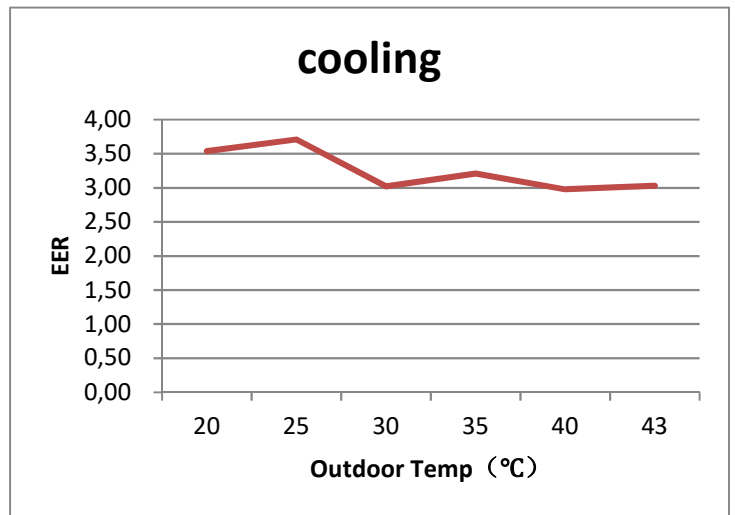
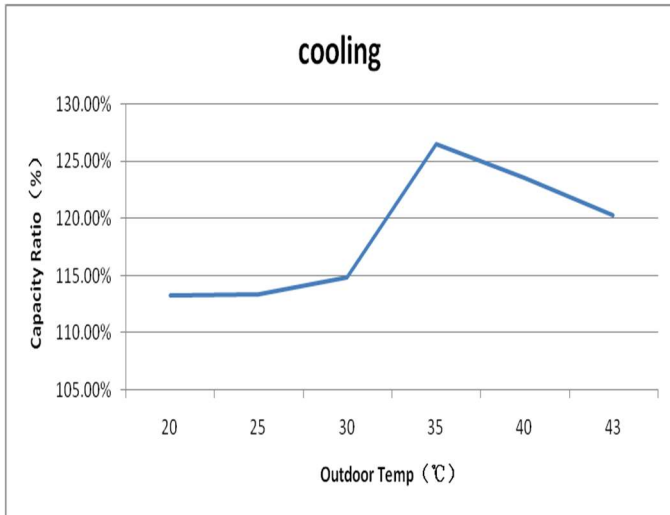
Actions of exiting the defrosting state:

The compressor stops, and 50 seconds later the four-way valve opens, and another 10 seconds later the compressor and outdoor fan restart and begin normal operation.

5-4. Performance Data

Temperature charts





6. Electrical Characteristics

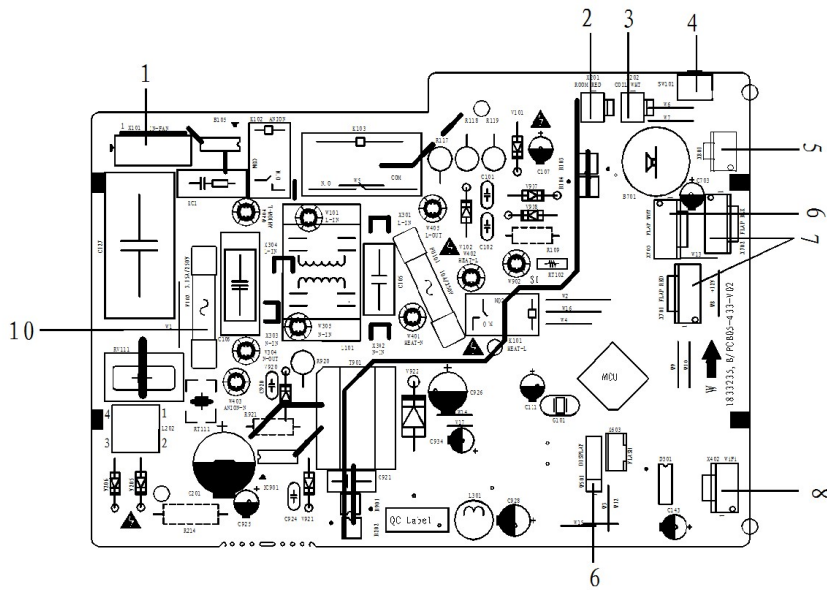
6-1. Print Circuit Board (Indoor & Outdoor)

Model	Indoor unit	Outdoor unit
+AST-09UW4RXX**	1851611	1841765
+AST-12UW4RXX**	1851611	1841765
+AST-09UW4RXX**00A	1951226	OU-PCB- RVE/RXD
+AST-12UW4RXX**00A	1951226	OU-PCB- RVE/RXD
+AST-09UW4RXE**00	1898224	1878005
+AST-12UW4RXE**00	1898224	1878005
+AST-18UW4RXA**00	1833235	1878005
+AST-18UR4RXA**00 +AST-18UW4RXA**00B	1893567	1878005
+AST-18UR4RXA**00A	1951844	1878005
+AST-09UW4RVE**00	1833235	OU-PCB- RVE/RXD
+AST-09UW4RVE**00B	1893567	OU-PCB- RVE/RXD
+AST-09UW4RVE**00A	1951844	OU-PCB- RVE/RXD
+AST-12UW4RVE**00	1833235	OU-PCB- RVE/RXD
+AST-12UW4RVE**00B	1893567	OU-PCB- RVE/RXD
+AST-12UW4RVE**00A	1951844	OU-PCB- RVE/RXD
+AST-12UW4RVZ**00	1833235	OU-PCB- RVE/RXD
+AST-09UW4RYD**00 +AST-09UW4RYY**00	1898224	OU-PCB- RVE/RXD
+AST-24UW4RBB**00	1898224	1878005
+AST-24UW4RBB**00A	1898224	1895943
+AST-24UW4RBB**00B	1951838	1878005
AS-09UR4RYD**01	1549681	OU-PCB- RVE/RXD
AS-12UR4RYD**01	1549681	OU-PCB- RVE/RXD
AST-24UW4RDB**00	1898224	1846941/1924721
AST-24UW4RDB**00A	1951838	1846941/1924721
AST-18UW4RBA**00	1898224	1878005
AST-18UW4RBA**00A	1951838	1878005

Note: " ** " mean code of Front Panel.

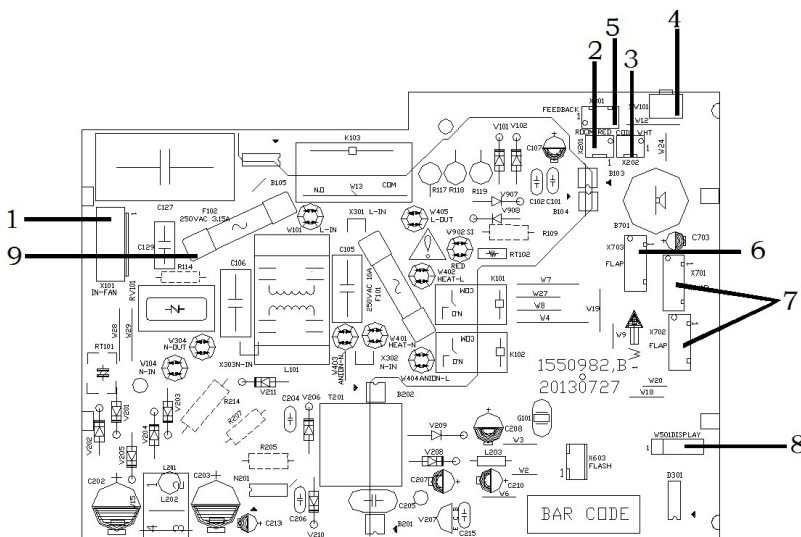
Model of indoor unit:

1833235



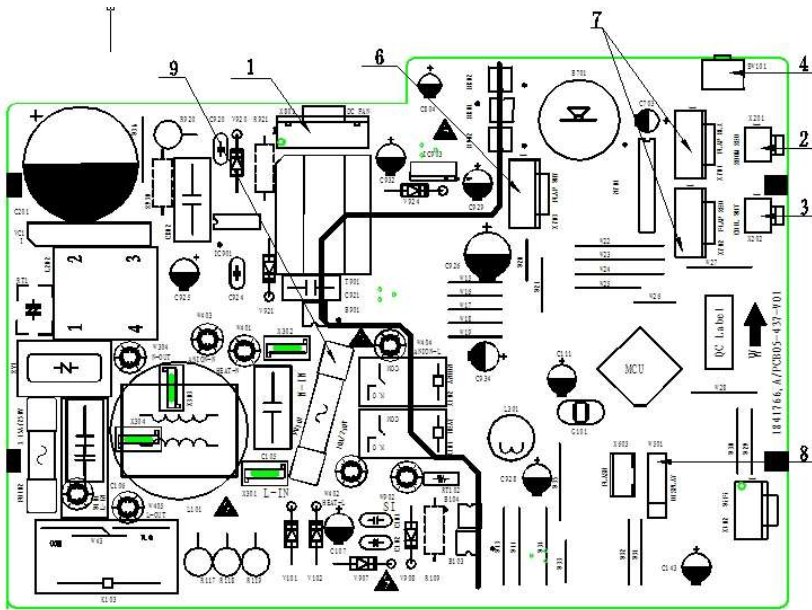
1	Interface of PG motor(WHITE)
2	Room temperature sensor(RED)
3	Pipe temperature sensor(WHITE)
4	Switch button
5	Feedback from PG motor(WHITE)
6	Up&down swing(WHITE)
7	Left&right swing(BLACK)
8	Wiring control or wifi interface
9	Display interface
10	Protective tube

1550982



1	Interface of PG motor(WHITE)
2	Room temperature sensor(RED)
3	Pipe temperature sensor(WHITE)
4	Switch button
5	Feedback from PG motor(WHITE)
6	Up&down swing(WHITE)
7	Left&right swing(BLACK)
8	Display interface
9	Protective tube

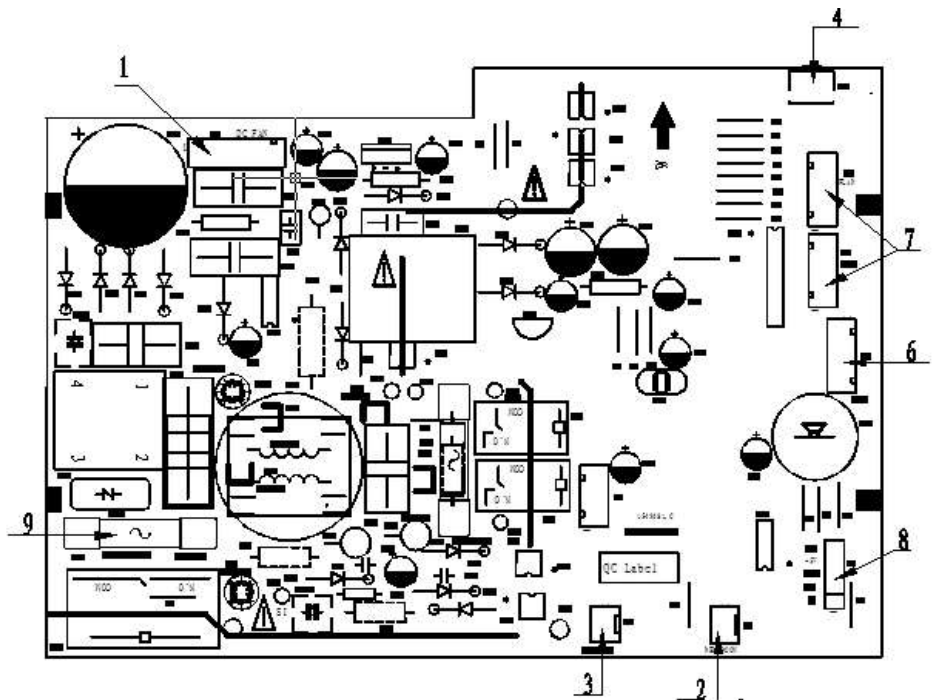
1841766/1898224



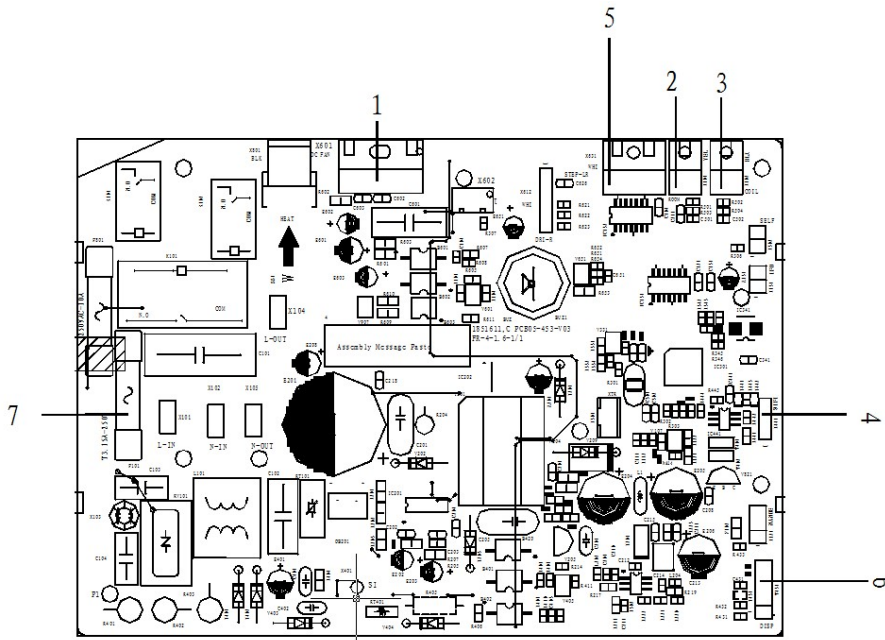
1	Interface of DC motor(WHITE)
2	Room temperature sensor(RED)
3	Pipe temperature sensor(WHITE)
4	Switch button
6	Up&down swing(WHITE)
7	Left&right swing(BLACK)
8	Display interface
9	Protective tube

1549681

1	Interface of DC motor(WHITE)
2	Room temperature sensor(RED)
3	Pipe temperature sensor(WHITE)
4	Switch button
6	Up&down swing(WHITE)
7	Left&right swing(BLACK)
8	Display interface
9	Protective tube

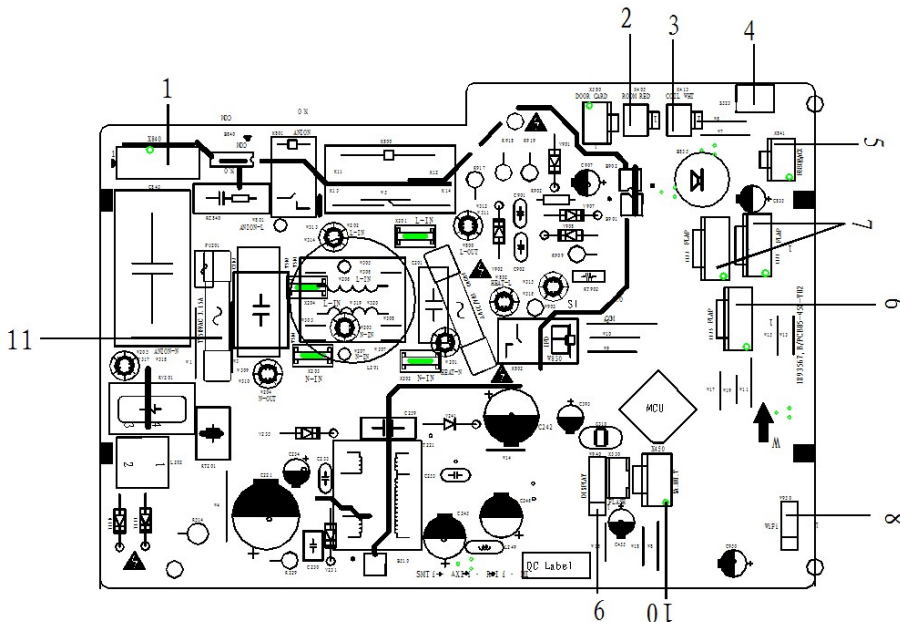


1851611



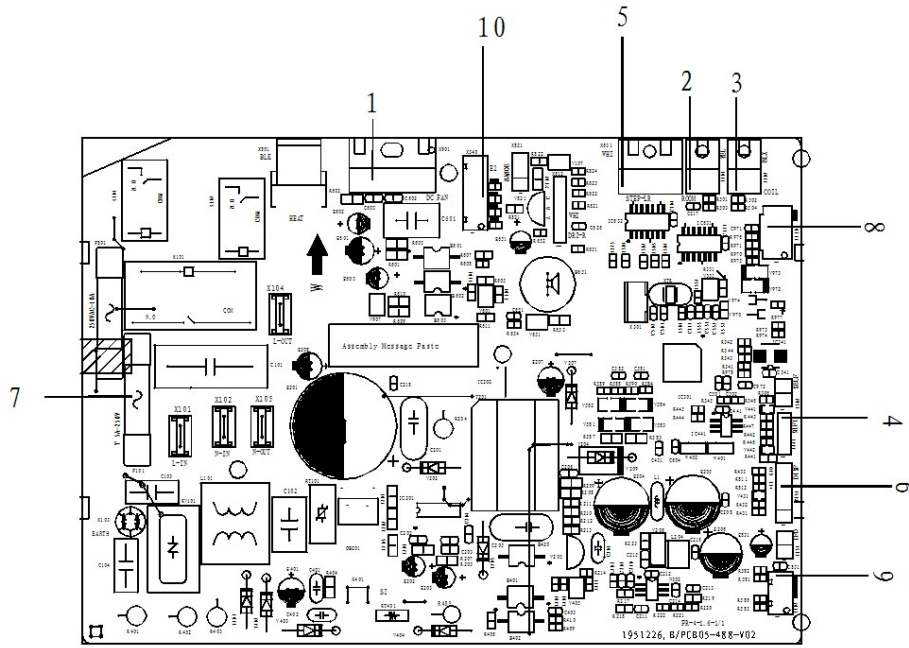
1	Interface of DC motor(WHITE)
2	Room temperature sensor(YELLOW)
3	Pipe temperature sensor(BLACK)
4	wifi interface
5	Up&down swing(WHITE)
6	Display interface
7	Protective tube

1893567



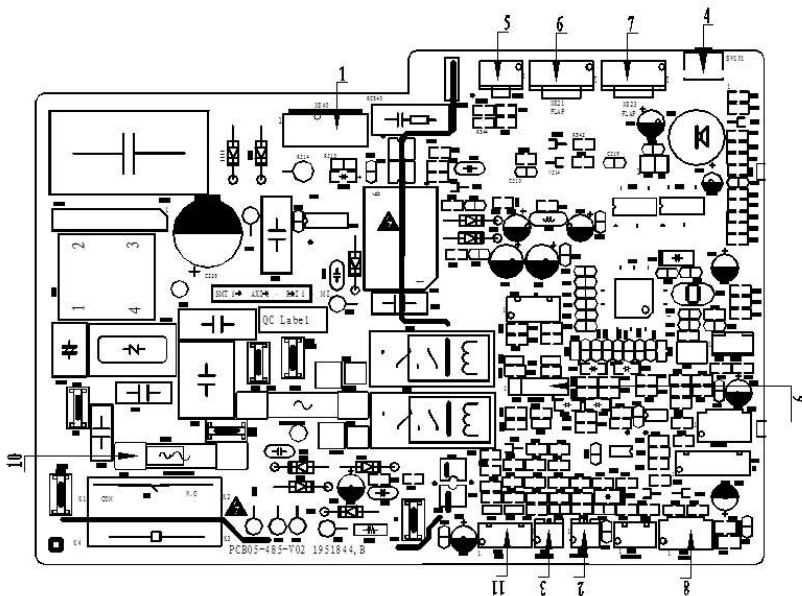
1	Interface of PG motor(WHITE)
2	Room temperature sensor(RED)
3	Pipe temperature sensor(WHITE)
4	Switch button
5	Feedback from PG motor (WHITE)
6	Up&down swing(WHITE)
7	Left&right swing(BLACK)
8	Wiring control or wifi interface
9	Display interface
10	Humidity detection interface(WHITE)
11	Protective tube

1951226



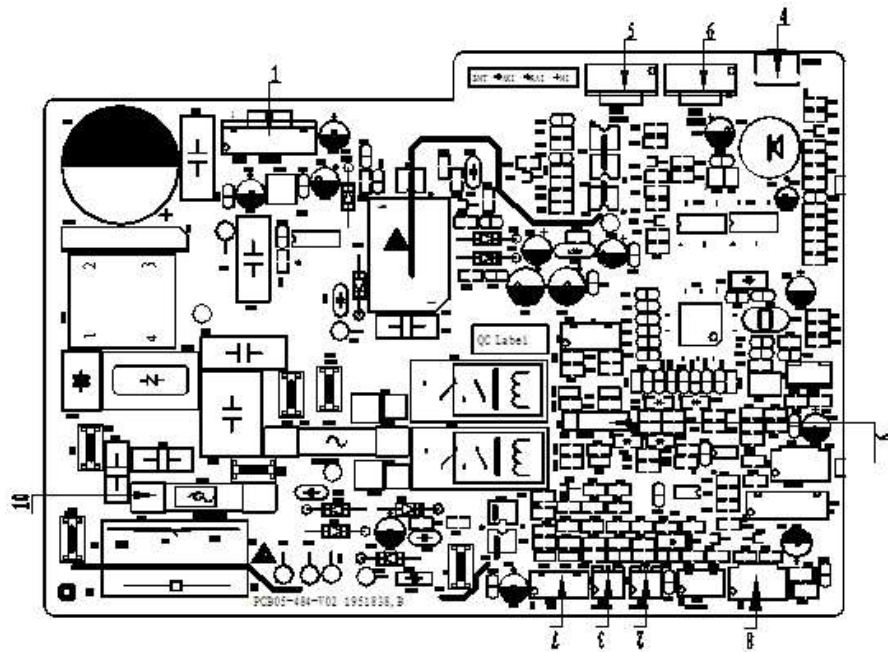
1	Interface of DC motor(WHITE)
2	Room temperature sensor(YELLOW)
3	Pipe temperature sensor(BLACK)
4	wifi interface
5	Up&down swing(WHITE)
6	Display interface
7	Protective tube
8	Wiring control interface(WHITE)
9	OUT INPUT interface(RED)
10	EPROM PROGRAM interface(RED)

1951844



1	Interface of PG motor(WHITE)
2	Room temperature sensor(YELLOW)
3	Pipe temperature sensor(BLACK)
4	Switch button
5	Feedback from PG motor(WHITE)
6	Up&down swing(WHITE)
7	Left&right swing(BLACK)
8	Wiring control interface (WHITE)
9	Display interface
10	Protective tube
11	Wifi control interface

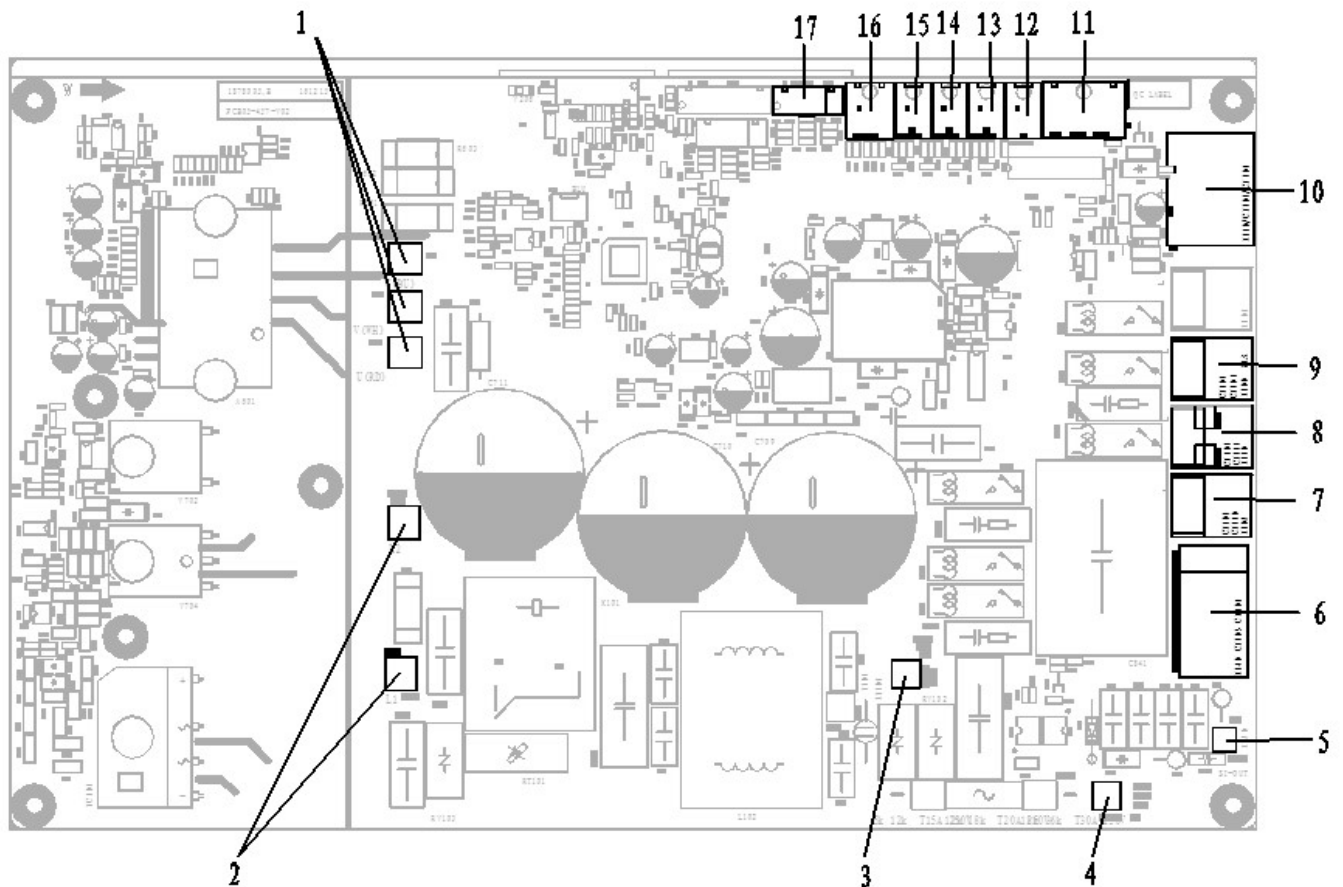
1951838



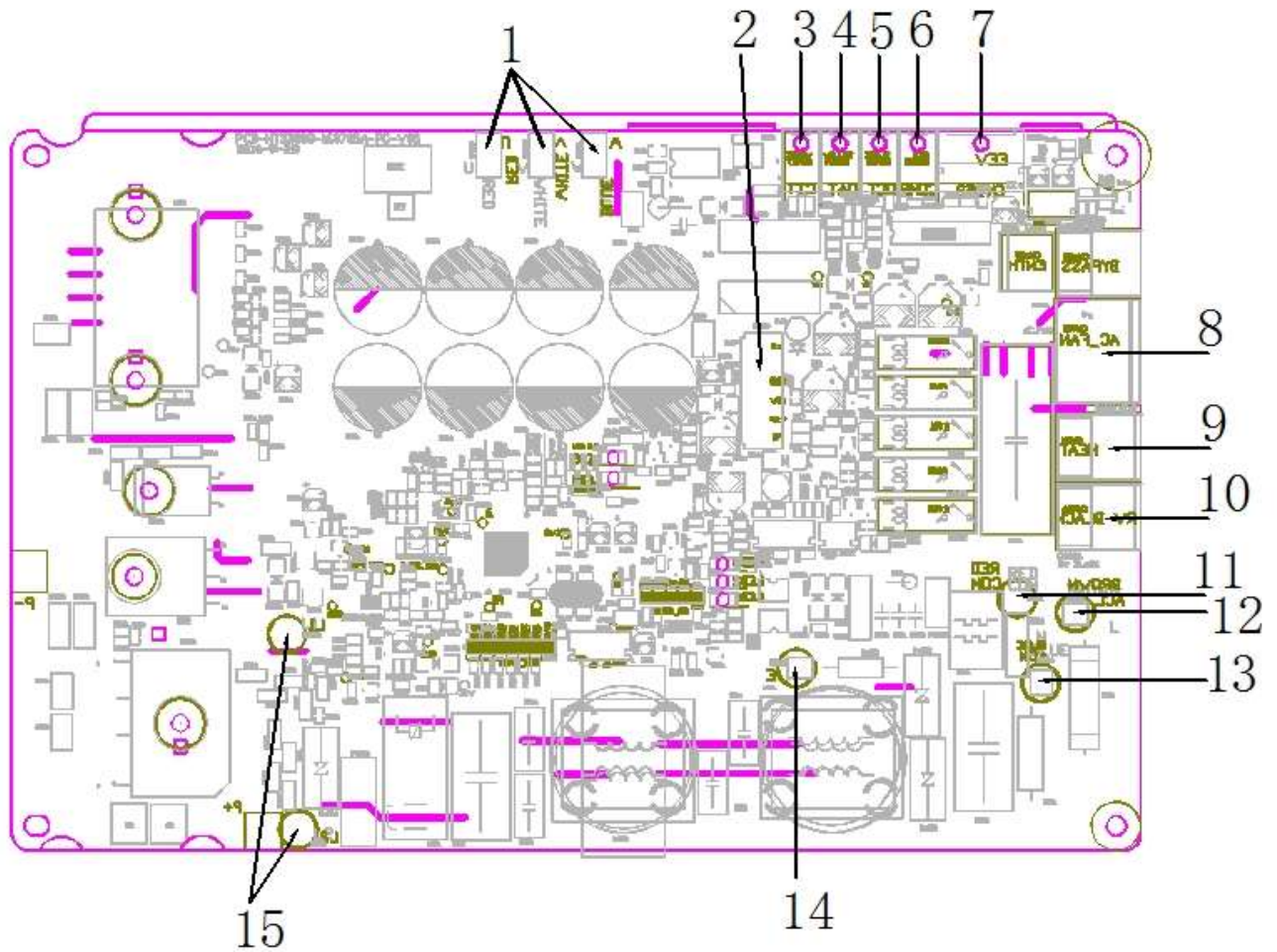
1	Interface of DC motor (WHITE)
2	Room temperature sensor(YELLOW)
3	Pipe temperature sensor(BLACK)
4	Switch button
5	Up&down swing(WHITE)
6	Left&right swing(BLACK)
7	Wifi controlinterface
8	Wiring controlinterface (WHITE)
9	Display interface
10	Protective tube

Model of outdoor unit:

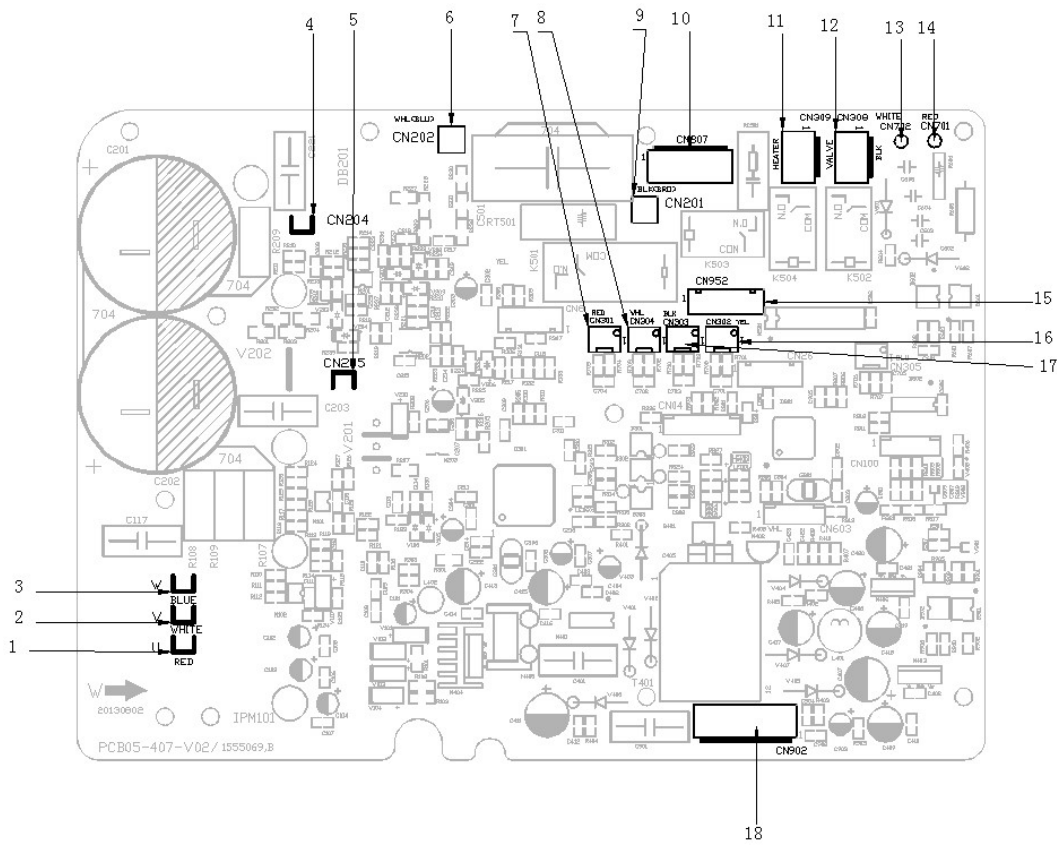
1878005



1	Terminal of compressor U/V/W phase (RED/WHITE/BLUE)	6	Terminal of AC fan cool valve terminal (WHITE)	11	Terminal of electronic expansion valve (WHITE)	16	Over pressure sensor (WHITE)
2	Terminal of reactor (BROWN/ORANGE)	7	Cool Valve terminal (WHITE)	12	Outdoor ambient temperature sensor(YELLOW)	17	DRED Function
3	Terminal of neutral wire,connect to the terminal panel "1(N)" (BLUE)	8	Heater terminal(RED)	13	Outdoor pipe temperature sensor(BLACK)	18	
4	Terminal of live wire,connect to the terminal panel "2(L)" (BROWN)	9	4-way valve terminal(BLACK)	14	Compressor discharge temperature sensor (WHITE)	19	
5	Terminal of signal wire,connect to the terminal panel "3(SI)" (RED)	10	Terminal of DC fan (WHITE)	15	Terminal of compressor overload protector(RED)		

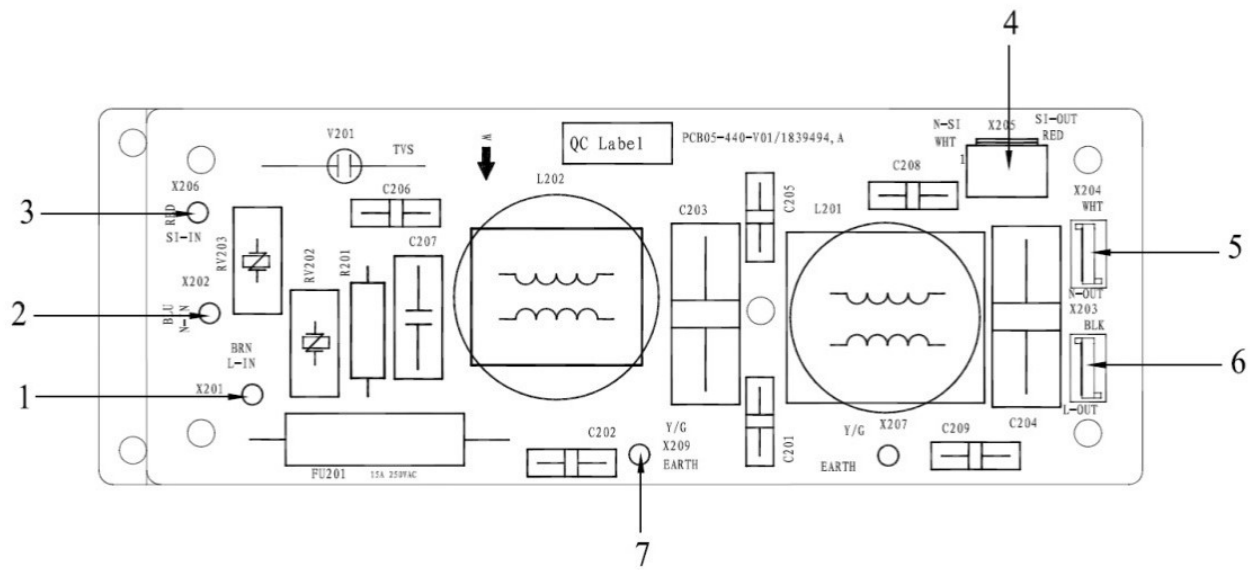


1	Terminal of compressor U/V/W phase (RED/WHITE/BLUE)	2	Terminal of DC fan(WHITE)
3	Compressor discharge temperature sensor(WHITE)	4	Outdoor ambient temperature sensor(YELLOW)
5	Outdoor pipe temperature sensor(BLACK)	6	Terminal of compressor overload protector(RED)
7	Terminal of electronic expansion valve(WHITE)	8	Terminal of AC fan(WHITE)
9	Heat terminal (RED)	10	4-way valve terminal(BLACK)
11	Terminal of signal wire,connect to the terminal panel "3(SI)"	12	Terminal of live wire,connect to the terminal panel "2(L)"
13	Terminal of neutral wire,connect to the terminal panel "1(N)"	14	Terminal of earth wire
15	Terminal of reactor		

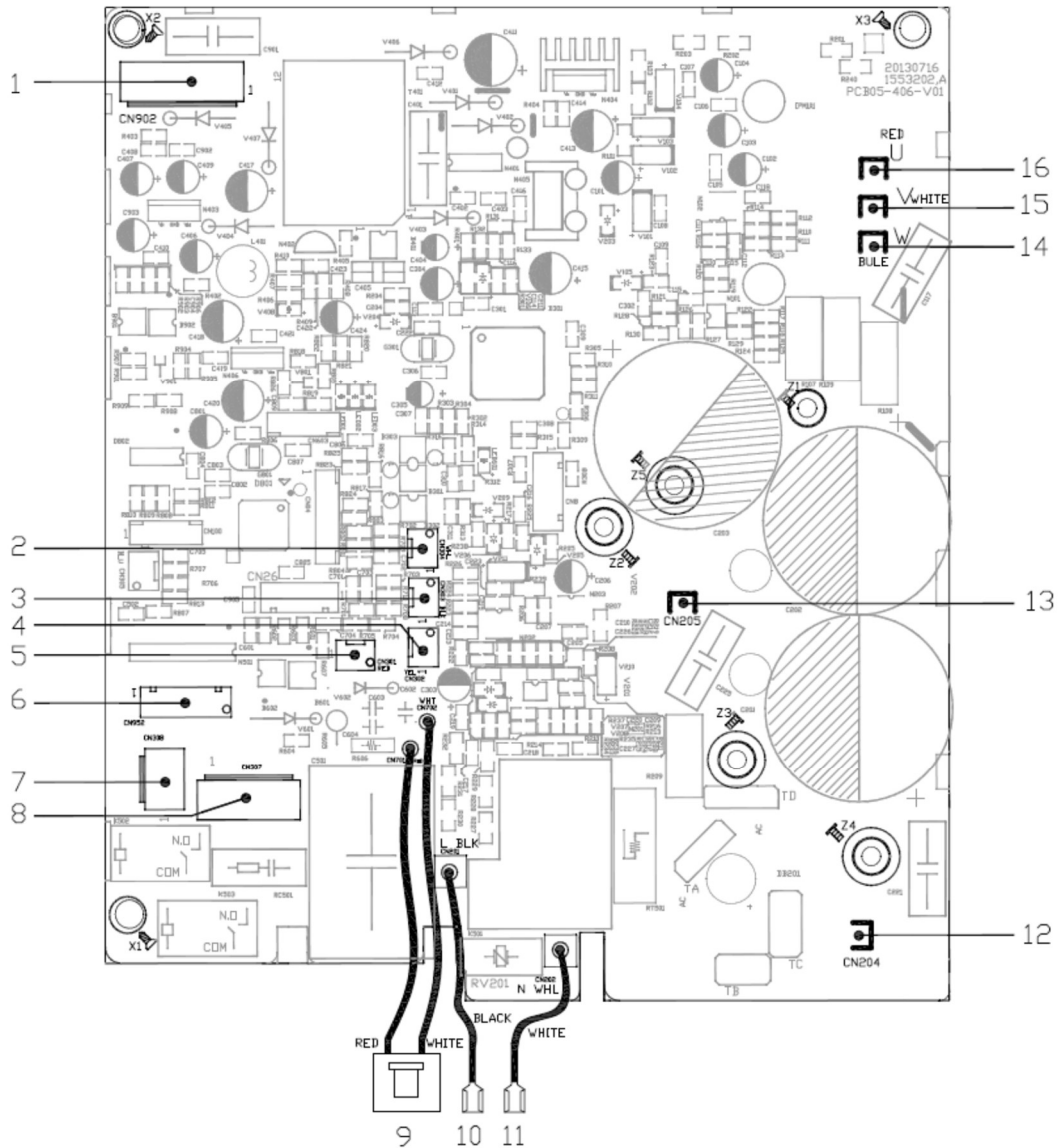


1	Terminal of compressor U phase(RED)	10	Terminal of AC fan (WHITE)
2	Terminal of compressor V phase(WHITE)	11	Terminal of heater(RED)
3	Terminal of compressor W phase(BLUE)	12	Terminal of 4-way valve(BLACK)
4	Terminal of reactor	13	Terminal of communication with wire filter
5	Terminal of reactor	14	Terminal of communication with wire filter
6	Terminal of neutral wire with filter board	15	Terminal of electronic expansion valve(WHITE)
7	Terminal of compressor overload protector(RED)	16	Outdoor ambient temperature sensor(YELLOW)
8	Compressor discharge temperaturesensor(WHITE)	17	Outdoor pipe temperature sensor(BLACK)
9	Terminal of live wire with filter board	18	Terminal of DC fan(WHITE)

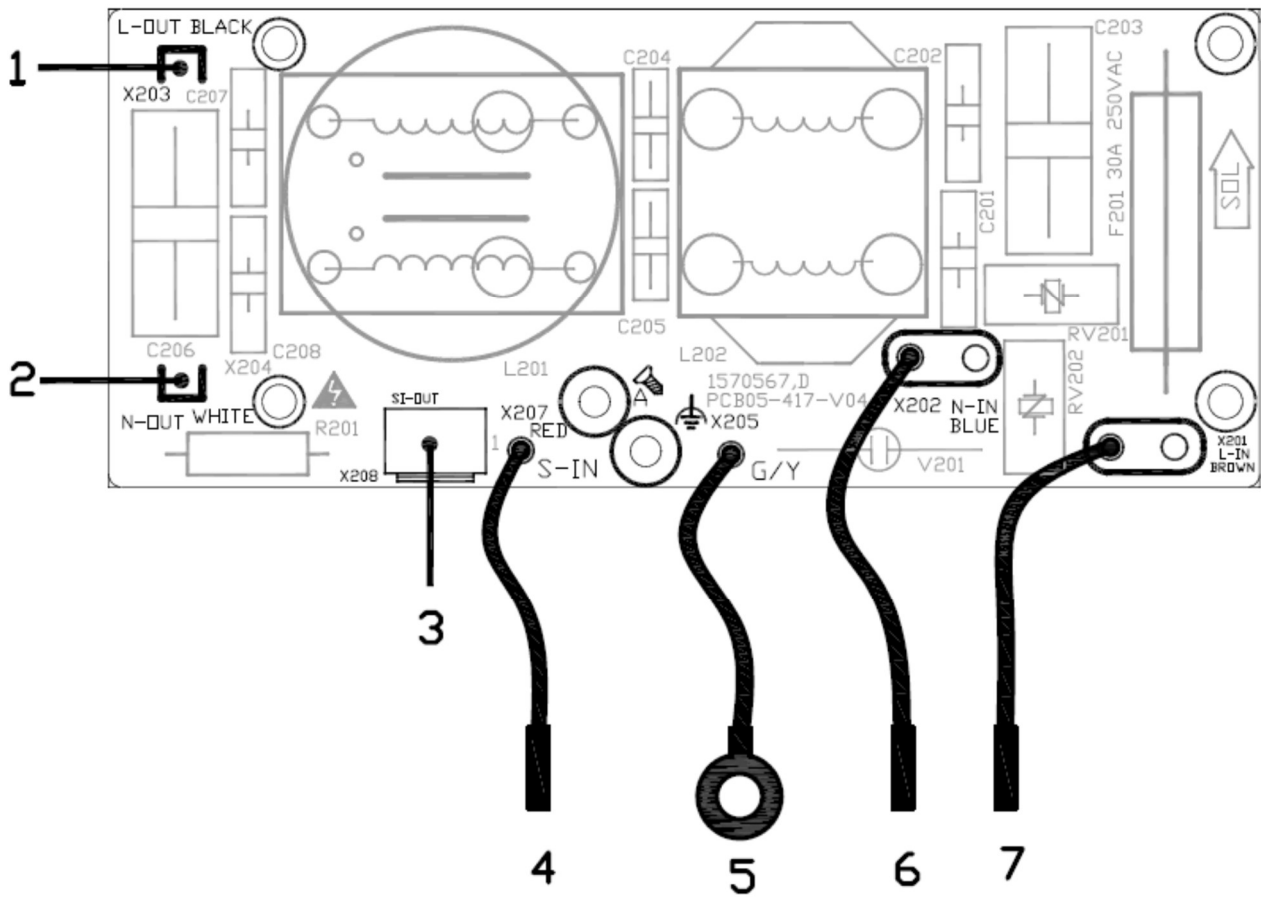
1839494



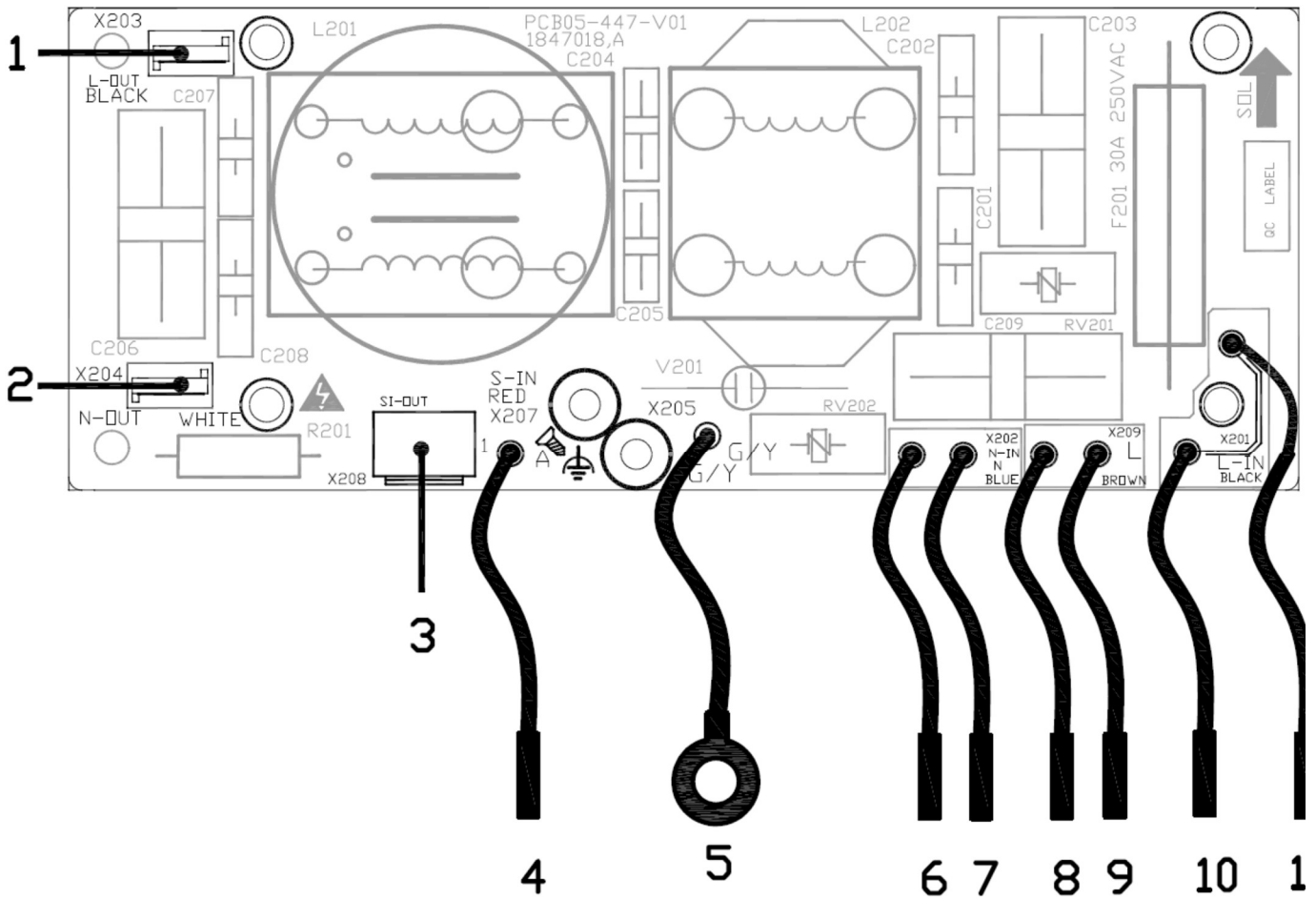
1	Live wire to terminal block	5	Terminal of neutral wire to driver-board
2	Neutral wire to terminal block	6	Terminal of live wire to driver-board
3	Communication wire to terminal block	7	Terminal of ground wire
4	Terminal of communication to driver-board		



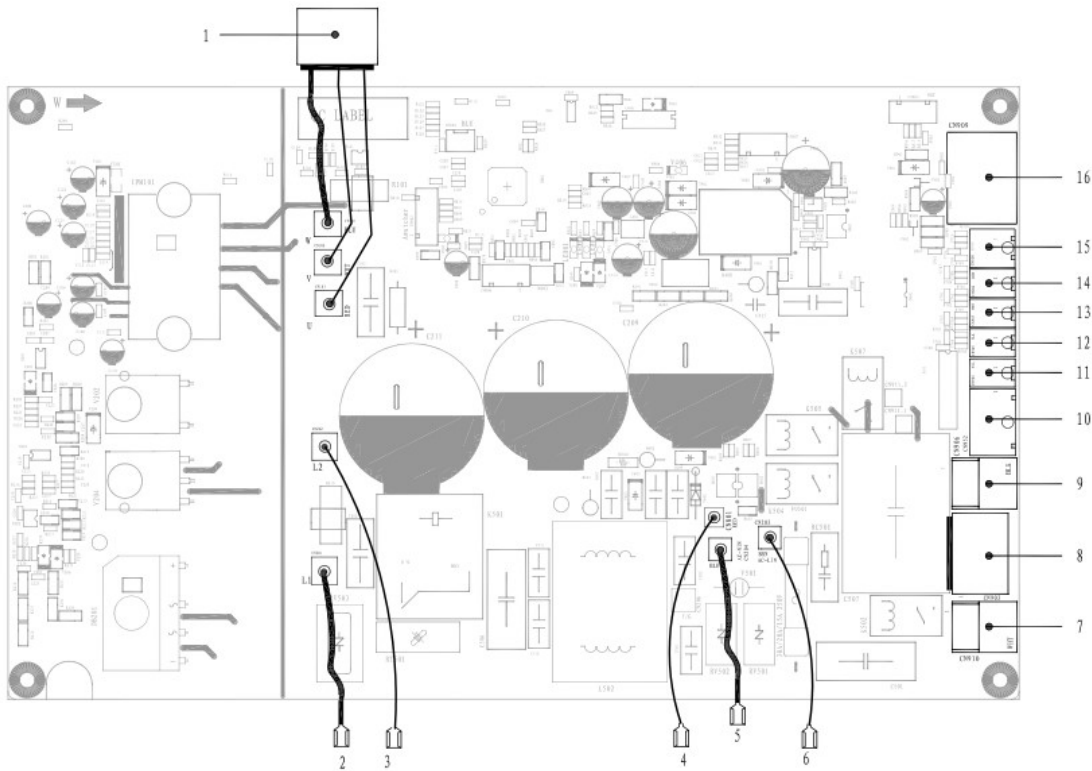
1	Terminal of DC fan(WHITE)	5	Terminal of compressor overload protector(RED)	9	Terminal of communication wire with filter board(RED/WHITE)	14	Terminal of compressor W phase(BLUE)
2	Compressor discharge temperature sensor(WHITE)	6	Terminal of electronic expansion valve(WHITE)	10	Terminal of live wire with filter board(BLACK)	15	Terminal of compressor V phase(WHITE)
3	Outdoor pipe temperature sensor (BLACK)	7	4-way valve terminal (BLACK)	11	Terminal of neutral wire with filter board(WHITE)	16	Terminal of compressor U phase(RED)
4	Outdoor ambient temperature sensor (YELLOW)	8	Terminal of AC fan(WHITE)	12, 13	Terminal of reactor (BROWN/ORANGE)		



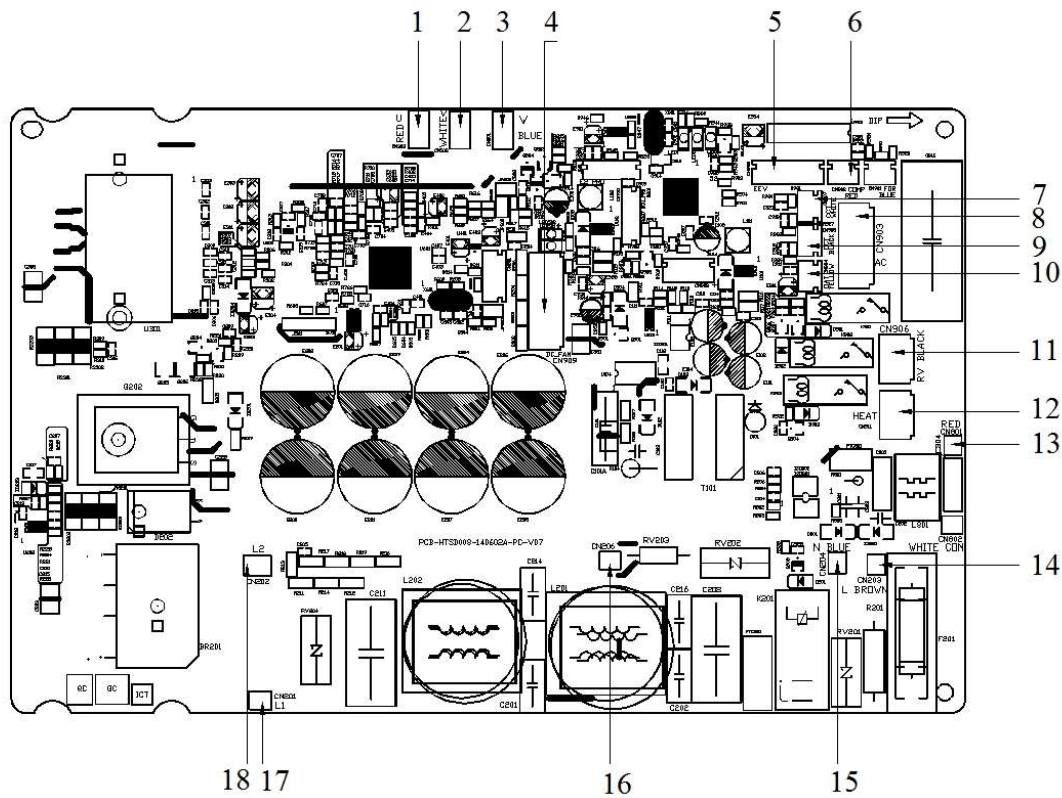
1	Terminal of live wire, connect to the driver board (BLACK)	4	Terminal of signal wire, connect to the terminal panel "3 (SI)" (RED)	7	Terminal of live wire, connect to the terminal panel "2 (L)" (BROWN)
2	Terminal of neutral wire, connect to the driver board (WHITE)	5	Terminal of ground wire (YELLOW/GREEN)		
3	Terminal of communication wire, connect to the driver board (RED/WHITE)	6	Terminal of neutral wire, connect to the terminal panel "1 (N)" (BLUE)		



1	Terminal of live wire, connect to the driver board (BLACK)	4	Terminal of signal wire, connect to the terminal panel "4 (SI)" (RED)	8, 9	Terminal of live wire, connect to the terminal panel "L" and "1 (L)" (BROWN)
2	Terminal of neutral wire, connect to the driver board (WHITE)	5	Terminal of ground wire (YELLOW/GREEN)	10 or 11	Terminal of live wire, connect to the terminal panel "0 (L)" (BROWN)
3	Terminal of communication wire, connect to the driver board (RED/WHITE)	6, 7	Terminal of neutral wire, connect to the terminal panel "N" and "2 (N)" (BLUE)		

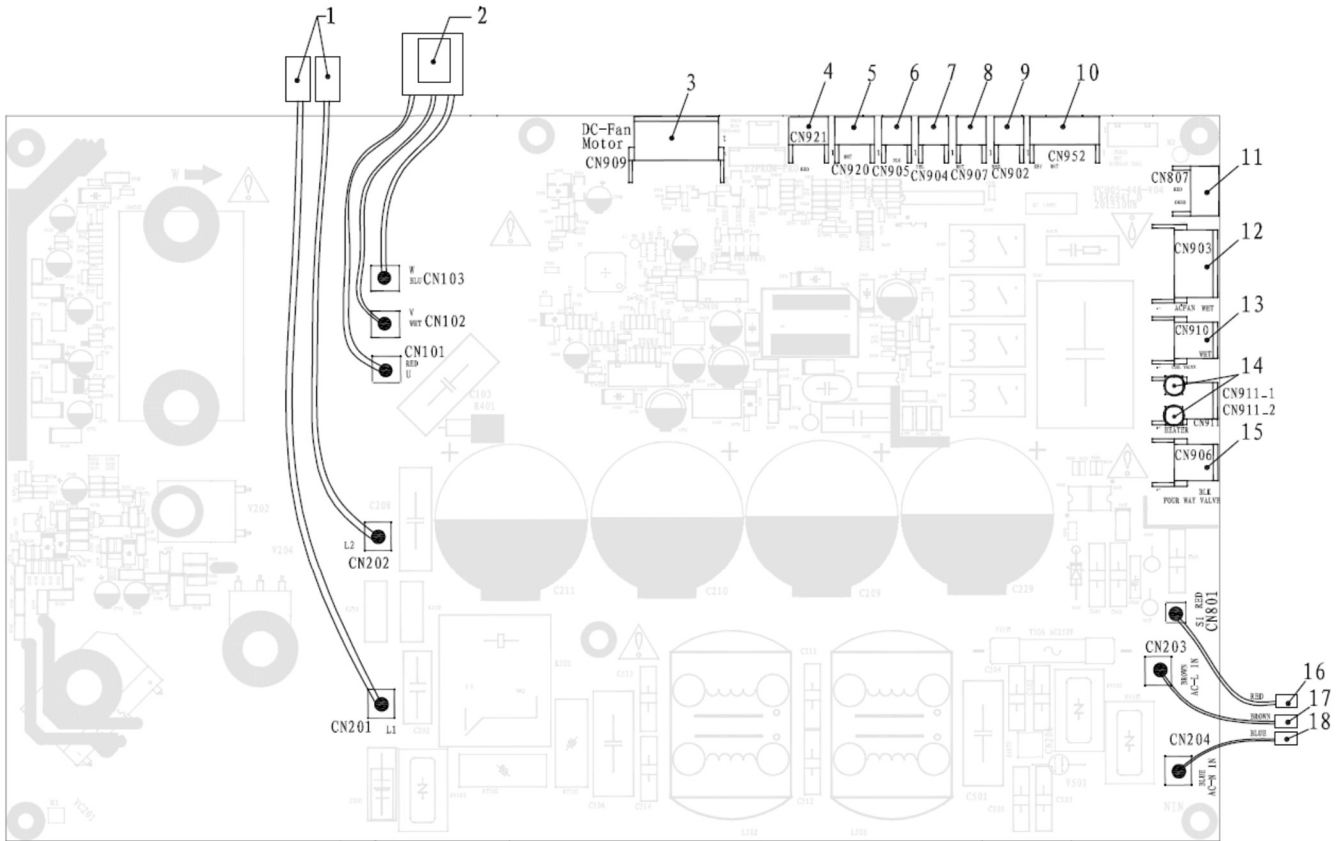


1	Terminal of compressor U/V/W phase(RED/WHITE/BLUE)	5	Terminal of neutral wire,connect to the terminal panel "1(N)"(BLUE)	9	4-way valve terminal(BLACK)	13	Compressor discharge temperature sensor(WHITE)
2	Terminal of reactor(BROWN/ORANGE)	6	Terminal of live wire,connect to the terminal panel "2(L)"(BROWN)	10	Terminal of electronic expansion valve(WHITE)	14	Terminal of compressor overload protector(RED)
3	Terminal of reactor(BROWN/ORANGE)	7	cool valve terminal(WHITE)	11	Outdoor ambient temperature sensor(YELLOW)	15	Over pressure Sensor(WHITE)
4	Terminal of signal wire,connect to the terminal panel "3(SI)"(RED)	8	Terminal of AC fan(WHITE)	12	Outdoor pipe temperature sensor(BLACK)	16	Terminal of DC fan(WHITE)



Terminal of neutral wire with filter board

1	Terminal of compressor U phase(RED)	10	Outdoor ambient temperature sensor(YELLOW)
2	Terminal of compressor V phase(WHITE)	11	Terminal of 4-way valve(BLACK)
3	Terminal of compressor W phase(BLUE)	12	Terminal of heater(RED)
4	Terminal of DC fan(WHITE)	13	communication wire to terminal block
5	Terminal of electronic expansion valve(WHITE)	14	Terminal of neutral wire to terminal block
6	Terminal of compressor overload protector(RED)	15	Terminal of live wire to terminal block
7	Compressor discharge temperaturesensor(WHITE)	16	Terminal of ground wire
8	Terminal of AC fan (WHITE)	17	Terminal of reactor
9	Outdoor pipe temperature sensor(BLACK)	18	Terminal of reactor

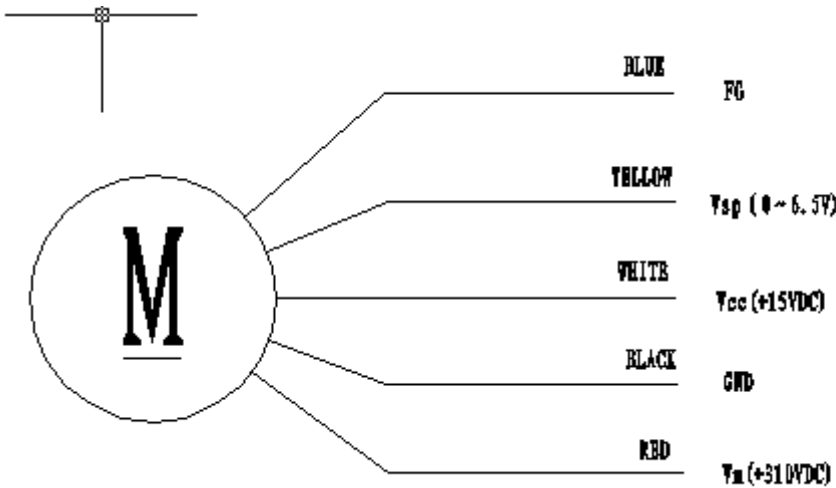
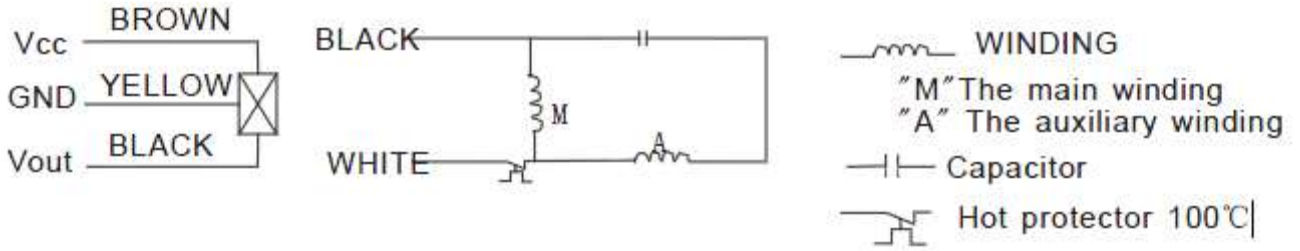


1	Terminal of reactor	6	Compressor discharge temperature sensor (YELLOW)	11	DRED Function	16	Terminal of communication wire
2	Terminal of compressor (WHITE)	7	Outdoor ambient temperature sensor (WHITE)	12	Terminal of AC fan (WHITE)	17	Terminal of live wire
3	Terminal of DC fan (WHITE)	8	Outdoor pipe temperature sensor (RED)	13	Cool Valve terminal	18	Terminal of neutral
4	Heat Sink temperature sensor (WHITE)	9	Terminal of compressor overload protector (WHITE)	14	Heater terminal		
5	Pressure Protector (BLACK)	10	Terminal of electronic expansion valve (WHITE)	15	4-way valve terminal (BLACK)		

6-2. Fan Motor

Drawings attached:

DG13G1-16、DG13G2-07



1	BLUE	FG
2	YELLOW	$V_{sp} (0 \sim 6.5V)$
3	WHITE	$V_{cc} (+15VDC)$
4	BLACK	GND
5	—	-----
6	RBD	$V_m (+310VDC)$

Test in resistance.

TOOL: Multimeter.

Test the resistance of the main winding. The indoor fan motor is fault if the resistance of main winding 0(short circuit)or ∞ (open circuit) .

Test in voltage

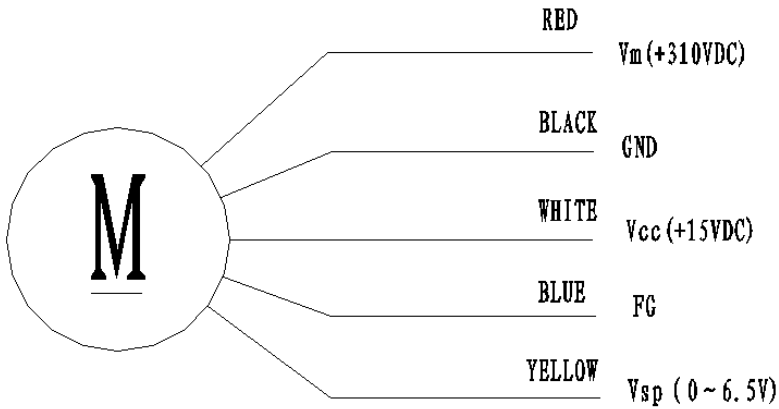
TOOL: Multimeter.

Insert screwdriver into to rotate indoor fan motor slowly for 1 revolution or over, and measure voltage "YELLOW" and "GND" on motor. The voltage repeat 0V DC and 5V DC.

Notes:

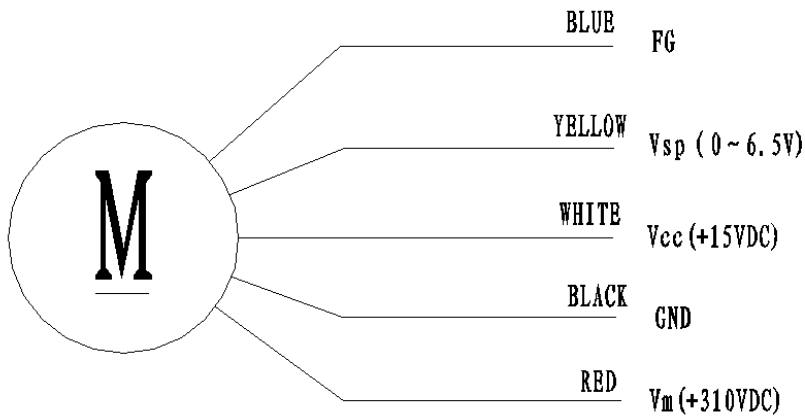
- 1) Please don't hold motor by lead wires.
- 2) Please don't plug IN/OUT the motor connecter while power ON.
- 3) Please don't drop hurl or dump motor against hard material. Malfunction may not be observed at early stage after such shock. But it may be found later, this type of mishandling void our warranty.

Indoor DC Fan Motor



1	RED	$V_m(+310VDC)$
2	--	-----
3	--	-----
4	BLACK	GND
5	WHITE	$V_{cc}(+15VDC)$
6	BLUE	FG
7	YELLOW	$V_{sp}(0 \sim 6.5V)$

Outdoor DC Fan Motor



1	BLUE	FG
2	YELLOW	$V_{sp}(0 \sim 6.5V)$
3	WHITE	$V_{cc}(+15VDC)$
4	BLACK	GND
5	--	-----
6	RED	$V_m(+310VDC)$

6-3. Temperature Sensor

Parameter table attached:

1. THE PARAMETER OF THE INDOOR COIL AND INDOOR ROOM SENSOR ,THE PARAMETER OF THE OUTDOOR COIL AND OUTDOOR SENSOR:

($R(0)=15k$ $B(0/100)=3450$)

Temperature(°C)	Resistance(k)	Voltage(V)		Temperature(°C)	Resistance(k)	Voltage(V)
-20	38.757	0.58143512		31	4.292	2.715076661
-19	36.844	0.60795346		32	4.137	2.76063657
-18	35.038	0.63530819		33	3.989	2.805589174
-17	33.331	0.66352684		34	3.847	2.850117358
-16	31.719	0.69257720		35	3.711	2.894109636

-15	30.196	0.72246147		36	3.58	2.937788018
-14	28.755	0.75321223		37	3.455	2.980713033
-13	27.392	0.78480857		38	3.335	3.023117961
-12	26.103	0.81722911		39	3.219	3.065272268
-11	24.882	0.85051031		40	3.108	3.106725146
-10	23.727	0.88458737		41	3.001	3.147759536
-9	22.632	0.91951536		42	2.899	3.187898487
-8	21.594	0.95527085		43	2.801	3.227439565
-7	20.611	0.99179340		44	2.706	3.266717909
-6	19.678	1.02913875		45	2.615	3.305249514
-5	18.794	1.06721353		46	2.528	3.342947037
-4	17.954	1.10609872		47	2.444	3.380169671
-3	17.158	1.14565549		48	2.363	3.416856492
-2	16.401	1.18599135		49	2.286	3.45247766
-1	15.683	1.22696435		50	2.211	3.487894953
0	15	1.26865672		51	2.139	3.522585993
1	14.351	1.31098658		52	2.07	3.556485356
2	13.734	1.35393437		53	2.003	3.590032381
3	13.148	1.39741342		54	1.939	3.622673675
4	12.589	1.44157386		55	1.877	3.654865988
5	12.058	1.48618720		56	1.818	3.686036427
6	11.553	1.53125563		57	1.76	3.717201166
7	11.071	1.57689691		58	1.705	3.747244673
8	10.613	1.62286005		59	1.652	3.776658768
9	10.176	1.66928515		60	1.6	3.805970149
10	9.76	1.71601615		61	1.551	3.834009923
11	9.363	1.76311968		62	1.503	3.861880963
12	8.985	1.81043663		63	1.457	3.888973616
13	8.624	1.85805887		64	1.413	3.91524643
14	8.279	1.90597205		65	1.37	3.941267388
15	7.951	1.95387327		66	1.328	3.967019291
16	7.637	2.00204130		67	1.289	3.991234935
17	7.337	2.05033368		68	1.25	4.015748031
18	7.051	2.09859271		69	1.213	4.039284017
19	6.778	2.14682606		70	1.177	4.062450215
20	6.516	2.19524793		71	1.142	4.085229093
21	6.267	2.24333597		72	1.109	4.106941536
22	6.028	2.29151689		73	1.076	4.12888601
23	5.8	2.33944954		74	1.045	4.149715216
24	5.581	2.38741691		75	1.015	4.17007359
25	5.372	2.43506494		76	0.986	4.189944134
26	5.172	2.48247664		77	0.957	4.210004953
27	4.981	2.52951096		78	0.93	4.228855721
28	4.797	2.57653834		79	0.904	4.247168554
29	4.622	2.62291710		80	0.878	4.265640683
30	4.453	2.66931854				

Note: the AD value in the table is calculated on the basis of the pull-down resistor is 5.1K.

2. THE PARAMETER OF OUTDOOR COMPRESSOR TEMPERATURE SENSOR:

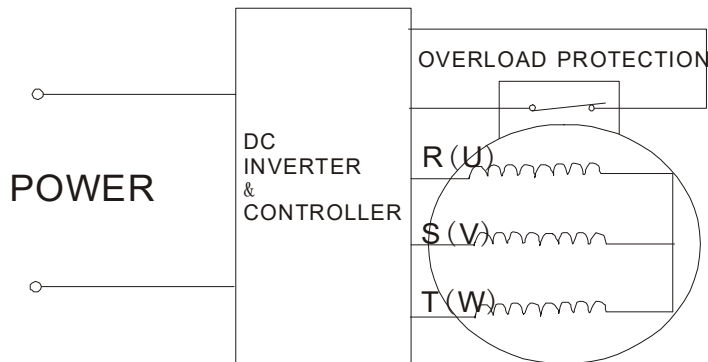
R(0)=187.25k B(0100)=3979)					
Temperature (°C)	Resistance(k)	Voltage(V)	Temperature (°C)	Resistance (k)	Voltage(V)
-20	542.867	0.06185563	51	19.907	1.273074475
-19	512.839	0.06543004	52	19.148	1.310312934
-18	484.672	0.06917993	53	18.422	1.348029498
-17	458.239	0.07311215	54	17.728	1.386170907
-16	433.423	0.07723358	55	17.065	1.424680494
-15	410.115	0.08155140	56	16.43	1.463624623
-14	388.213	0.08607312	57	15.822	1.502961719
-13	367.625	0.09080590	58	15.241	1.542579738
-12	348.264	0.09575738	59	14.684	1.582573078
-11	330.048	0.10093573	60	14.151	1.622834232
-10	312.904	0.10634837	61	13.64	1.663405088
-9	296.761	0.11200385	62	13.151	1.704175229
-8	281.556	0.11790981	63	12.682	1.745200698
-7	267.227	0.12407536	64	12.233	1.78637104
-6	253.72	0.13050821	65	11.802	1.827760456
-5	240.982	0.13721739	66	11.388	1.869364416
-4	228.965	0.14421140	67	10.992	1.910971223
-3	217.624	0.15149895	68	10.611	1.952788467
-2	206.917	0.15908889	69	10.246	1.994602839
-1	196.805	0.16699001	70	9.896	2.036415908
0	187.25	0.17521257	71	9.559	2.078366648
1	177.957	0.18402550	72	9.236	2.120229484
2	169.186	0.19319719	73	8.925	2.162162162
3	160.903	0.20273937	74	8.627	2.203928178
4	153.179	0.21252789	75	8.341	2.245558418
5	145.685	0.22297275	76	8.065	2.287251934
6	138.696	0.23368340	77	7.8	2.328767123
7	132.086	0.24480509	78	7.546	2.369998606
8	125.833	0.25634646	79	7.301	2.411176512
9	119.916	0.26831655	80	7.065	2.452217815
10	114.315	0.28072493	81	6.843	2.492120501
11	109.01	0.29358432	82	6.624	2.532777116
12	103.984	0.30690352	83	6.414	2.573028606
13	99.222	0.32068816	84	6.212	2.612972641
14	94.708	0.33494897	85	6.017	2.652726847
15	90.427	0.34969710	86	5.829	2.692216328
16	86.366	0.36494000	87	5.648	2.731362468
17	82.512	0.38068793	88	5.474	2.770083102
18	78.854	0.39694585	89	5.306	2.808524698
19	75.381	0.41372093	90	5.144	2.846617549

20	72.082	0.43102355		91	4.988	2.884289108
21	68.948	0.44885674		92	4.837	2.921715219
22	65.968	0.46723835		93	4.692	2.958579882
23	63.136	0.48615877		94	4.552	2.995066949
24	60.443	0.50562884		95	4.417	3.031113488
25	57.88	0.52566481		96	4.286	3.066931265
26	55.367	0.54691396		97	4.161	3.10190676
27	52.978	0.56877112		98	4.039	3.13682074
28	50.707	0.59123237		99	3.922	3.171050177
29	48.547	0.61430611		100	3.776	3.214826021
30	46.492	0.63799445		101	3.703	3.237170332
31	44.537	0.66229036		102	3.602	3.268602192
32	42.676	0.68720188		103	3.501	3.300650422
33	40.904	0.71272849		104	3.409	3.33039475
34	39.217	0.73885738		105	3.317	3.360680043
35	37.609	0.76561057		106	3.228	3.390506582
36	36.077	0.79296593		107	3.141	3.420179056
37	34.616	0.82093877		108	3.058	3.448975451
38	33.224	0.84949031		109	2.977	3.477549351
39	31.895	0.87866649		110	2.899	3.505516033
40	30.628	0.90841082		111	2.823	3.533201704
41	29.419	0.93873381		112	2.749	3.56058226
42	28.264	0.96965549		113	2.678	3.587254695
43	27.162	1.00111890		114	2.609	3.613561484
44	26.109	1.03315203		115	2.542	3.639477628
45	25.103	1.06573050		116	2.477	3.664977902
46	24.142	1.09883007		117	2.414	3.6900369
47	23.223	1.13246511		118	2.353	3.714629083
48	22.345	1.16658089		119	2.294	3.738728832
49	21.505	1.20120120		120	2.237	3.762310501
50	20.701	1.23631868				

Note: the AD value in the table is calculated on the basis of the pull-down resistor is 6.8K.

6-4. Compressor

Drawings attached:



Test in resistance.

TOOL: Multimeter.

Test the resistance of the winding. The compressor is fault if the resistance of winding 0 (short circuit) or ∞ (open circuit)

Familiar trouble: 1) Compressor motor lock. 2) Discharge pressure value approaches static pressure value. 3) Compressor motor winding abnormality.

Notes: 1) Don't put a compressor on its side or turn over.

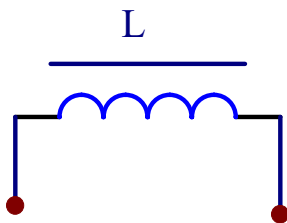
2) Please assemble the compressor in your air conditioner rapidly after removing the plugs. Don't place the comp. in air for a long time.

3) Avoiding compressor running in reverse caused by connecting electrical wire incorrectly.

4) Warning! In case AC voltage is impressed to compressor, the compressor performance will be lower because of its rotor magnetic force decreasing.

6-5. Electric Reactor

Drawings attached:



Familiar error:

- 1) Sound abnormality
- 2) Insulation resistance disqualification.

6-6. Access Control, Fire Protection, ON/OFF

Instructions for the function setting of access control, fire protection, ON/OFF

1. Factory setting

ON/OFF function is tacitly approved to be invalid when out of factory while both the access control and fire protection functions are valid.

In case of using or cancelling the access control / fire protection / (ON/OFF) function, use the wire controller to modify the parameters of indoor unit.

Note: please refer to "Site Setting" section in TC Manual for how to use the wire controller to modify the parameters of indoor unit.

2. Function introduction

(1) Access control: a kind of control mode to control the machine startup & shutdown based on the on & off state of the access control port.

(2) Fire protection: a kind of control mode to control the machine startup & shutdown based on the on & off state of the fire protection port.

(3) ON/OFF: a kind of special control mode to achieve the control of indoor unit startup & shutdown based on the input state of the fire protection port of the indoor unit (no other way can control startup & shutdown) and output the fault status of indoor unit through OUT INPUT port.

3. Function setting

3.1 Hardware connection

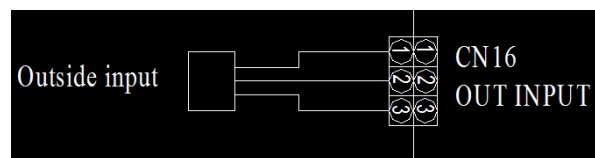


Figure 1 electrical wiring diagram

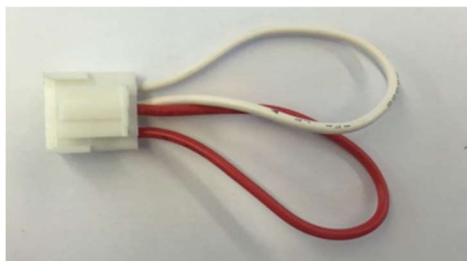


Figure 2 short wiring

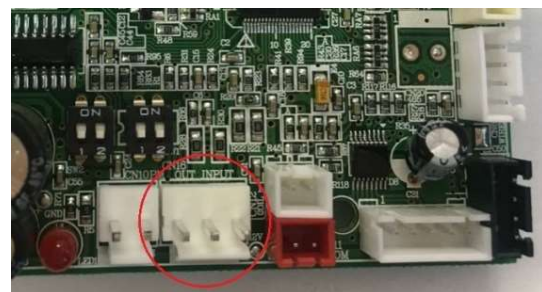


Figure 3 main control board

For some models



Figure 2 short wiring

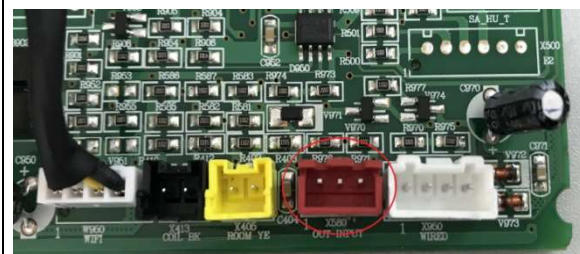


Figure 3 main control board

3 pins of the OUT INPUT CN16 socket shown in the electrical wiring diagram of Figure 1 are tacitly approved to be in short circuit state under the factory state (an external short circuit plug shown as Figure 2), and the OUT INPUT CN16 socket of main control board is shown as Figure 3.

(Illustration: the socket number in circuit is subject to the actual serial number of PCB.)

- 1) When using the door lock function, the user cuts off the red short wire shown in Figure 2 and accesses the door lock control switch (supplied by user), and the connecting wire should be 22AWG or above specification. The door lock switch is closed under normal conditions and off under abnormal conditions.
- 2) When using the fire protection function, the user cuts off the white short wire shown in Figure 2 and accesses the fire protection control switch (supplied by user), and the connecting wire should be 22AWG or above specification. The protection control switch is closed under normal conditions and off under abnormal conditions.
- 3) When using the ON/OFF function, the user cuts off the white short wire shown in Figure 2 and accesses the ON/OFF control switch (supplied by user), and the connecting wire should be 22AWG or above specification. In normal conditions, the machine starts once the switch is closed and the machine shuts down once the switch is off.

3.2 Timing sequence description:

(1) Access control:

1) Control of entrance card disconnection: the air conditioner shall be shut down after the access control signal is disconnected for 30 seconds. In this state, the indoor unit can't be started. If the user performs starting operation, the wire controller shall not respond and displays power-off.

2) Control of entrance card connection: after the short circuit of entrance card interface, release power-on restrictions, the wire controller maintains power-off and the startup & shutdown control is effective.

(2) Fire protection

1) Access to fire protection: the air conditioner shall be shut down and not blow waste cold or warm air after the access control signal is disconnected for 30 seconds. In this state, the indoor unit can't be started. If the user performs starting operation, the wire controller shall not respond and displays power-off.

2) Cancellation of fire protection: after the short circuit of fire protection signal, release power-on restrictions, the wire controller maintains power-off and the startup & shutdown control is effective.

(3) ON/OFF

1) In the situation where ON/OFF function is effect, the port is closed and in short circuit, the indoor unit starts; the indoor unit shuts down once the port is disconnected;

2) Other operation information (such as mode, air speed, air door, etc.) except for startup & shutdown can be set through the wire controller, remote-controller and WIFI module, and the latter takes precedence;

3) In the mode of ON/OFF function, wire controller, remote-controller, WIFI module and access control cannot control the machine startup & shutdown, and nor can in the mode of the timing or sleep function.

4) There will be 12V signal output when machine fault occurs.

3.3 Relative priorities of instructions

ON/OFF has the highest priority. The access control function shall be invalid when ON/OFF is effective.

Access control and fire prevention functions shall not affect each other.

6-7. Wiring Remote Controller

Model	Installation Manual	Use And Installation Instructions
YXE-C01U	1813253	1813254
YXE-D01U(E)	1898797	1898796
YXE-C02U(E)	1844538	1844539
YXE-A03U(E)	Not available	Not available

Note: Installation Manual and Use And Installation Instructions are separate documents.

7.Trouble Shooting

7-1. Error Code Table

1.Indication on the outdoor unit:

When the unit has the following trouble and the compressor stops running, The LED of outdoor control board will show the error sequence automatically:

NOTE: ★: LIGHT O: FLASH ×: OFF

Error code	Outdoor Failure Description	LED1	LED2	LED3	the root cause my be one of the following
Mark description: the lights flash every second for the following faults					
	Normal	×	×	×	
	Outdoor coil temperature sensor in trouble	★	×	★	a.the outdoor coil sensor connect loose; b.the outdoor coil temperature sensor is failure; c.the outdoor control board is failure
	Compressor exhaust temperature sensor in trouble	★	×	×	a.the compressor exhaust temperature sensor connect loose; b.the compressor exhaust temperature sensor is failure; c.the outdoor control board is failure
	Communication failure between the indoor unit and outdoor unit	×	×	O	a.the communication cable connect loose; b.the communication cable is failure; c.the connection between the filter board and the outdoor control board is incorrect or loose; d.the connection between the filter board and the terminal is incorrect or loose; e.the indoor control board is failure; f.the PFC board is failure; g.the power board is failure; h.the outdoor control board is failure.
	Current overload protection	★	O	×	a.the fan motor run abnormally; b.the condensor and evaporator is dirty; c.the air inlet and outlet is abnormally
	Maximum current protection	★	O	★	a.the outdoor control board is short circuit; b.the drive board is short circuit; c.the other components is short circuit
	Communication trouble between outdoor unit and driver	×	★	★	a. the connection wires connect loose b.the outdoor board or drive board is failure;

	Outdoor EEPROM in trouble	★	★	★	<p>a.the EEPROM chip is loose;</p> <p>b.the EEPROM chip inserted with opposite direction;</p> <p>c.the EEPROM chip is failure</p>
	Compressor exhaust temperature too high protection	×	○	★	<p>a.the compressor exhaust temperature sensor is failure;</p> <p>b.the refrigerant of the unit is not enough</p>
	Outdoor ambient temperature sensor in trouble	★	★	×	<p>a.the outdoor ambient temperature sensor connect loose;</p> <p>b.the outdoor ambient temperature sensor is failure;</p> <p>c.the outdoor control board is failure</p>
	Compressor shell temperature too high protection	×	★	○	<p>a.the compressor exhaust temperature sensor connect loose</p> <p>b.the refrigerant of the unit is not enough</p>
	Anti-freeze protection with cooling or overload protection with heating in indoor unit	×	○	○	<p>a.the indoor coil temperature sensor connect loose;</p> <p>b.the indoor coil temperature sensor is failure;</p> <p>c.the indoor control board is failure</p> <p>d. the refrigerant system is abnormal.</p>
	Compressor drive in trouble	○	×	○	<p>a.the outdoor drive board is failure;</p> <p>b.the compressor is failure</p> <p>c. the outdoor control board is failure</p>
	Outdoor fan motor locked rotor protection	○	○	★	<p>a.the connection of the outdoor fan motor is loose;</p> <p>b.there are something block the outdoor fan;</p> <p>c.the fan motor is failure;</p> <p>d.the outdoor control board is failure</p>
	Outdoor coil anti-overload protection with cooling	×	★	×	<p>a.the refrigerant is too much;</p> <p>b.the outdoor fan motor is failure;</p> <p>c.the outdoor fan is broken;</p> <p>d.the condensor is dirty;</p> <p>e.the air inlet and air outlet of the indoor unit and the outdoor unit is not normally</p>

	IPM module protection	×	○	×	a.The IPM board is failure; b.The outdoor fan is broken; c.The outdoor fan motor is failure; d.The outdoor fan has been blocked ; e.The condenser is dirty; f.The outdoor unit has been installed without standard.
	PFC protection	○	×	×	a.the PFC is failure; b.the outdoor drive board is failure
	Compressor pre heating process	○	★	○	it is normal mode in cold weather
	Chip in outdoor board in trouble	★	×	○	a. Using the wrong drive board; b. Using the wrong compressor.
	AC voltage higher or lower protection	★	★	○	a.the supply voltage is higher or lower than normal; b.the inner supply voltage of the unit is higher or lower than normal
	DC compressor start failure	○	○	×	a.the outdoor drive board is failure; b.the compressor is failure
	Outdoor ambient temperature too low protection	★	○	○	a、 Outdoor ambient temperature too low
Mark description: the lights flash every two seconds for the following faults					
	Protection against overheated outdoor radiator	○	×	×	a. Radiator sensors fail b. Detection circuit of the sensor on the control panel fails
	Protection of the system against too high pressure	○	○	×	a. The pressure switch fails b. The pressure detection switch on the control panel fails c. The measured value of the system pressure exceeds the limit

When the compressor is in operation:

Mark description: ★: Light ○: Flash ×: Off; the flash cycle is 1S				
No.	LED1	LED2	LED3	Reasons for the current operating frequency of the compressor is limited
1	○	○	○	Normal frequency rising and decreasing, no limitation
2	×	×	★	Frequency decreasing or prohibition of frequency rising caused by over-current
3	×	★	★	Frequency decreasing or prohibition of frequency rising caused by anti-freezing of refrigeration or anti-overload in heating
4	★	×	★	Frequency decreasing or prohibition of frequency rising caused by too high compressor discharge temperature

5				Limit to the max operating frequency caused by too low power voltage
6	★	★	★	Operation at fixed frequency (in the case of capability measuring or compulsory operation at fixed frequency)
7	0	×	×	Protective frequency decreasing against outdoor overload (overpower, over frequency conversion rate, over torque, detection of DC under-voltage)
8	★	×	×	Frequency decreasing caused by indoor and outdoor communication fault
9	×	★	0	Frequency decreasing or prohibition of frequency rising protection against overload of outdoor coiled pipe
10	×	★	×	Frequency decreasing or prohibition of frequency rising for power-saving when it is being used simultaneously with other appliances

2. Indication by the indoor unit:

2.1. The 7-segment tube of the indoor display board will show the error code automatically when the unit has the following trouble:

Error code	Power	Timer	Running	Sleep	Remark: ★Light 0 Flash x OFF		
	1	2	3	4	Content	Remark	The root cause is may be one of the following
EA					the error code will display when the communication between display board and control board have in trouble		a. The connection between the display board and control board is loose; b. The indoor control board is failure. c. The wiring of the display board is failure.

2.2. When the unit has the following trouble and the compressor stops running, press the sleep button on the remote controller for 10 times in ten seconds and the 7-segment tube of the display board will show the error code as the following, if two malfunction happened at the same time, it need press the sleep button for 10 times again, the LED will show the other error code.

Refer to the remote controller which the sleep key can set into 4 different combination ways (Hisense's new design remote controller), when using to check the error codes only takes effect for pressing the sleep key 10 times in ten seconds instead of 4 times.

NOTE: If the troubleshooting inquiry display by 7-segment tube, then the error code will be displayed, otherwise only the LED of the display board can show.

Error code	Running	Timer	Sleep	Power	Remark: ★Light 0 Flash x OFF		
	1	2	3	4	Content	Remark	The root cause is may be one of the following
0					Normal		

1	x	o	x	x	The failure for temperature sensor of outdoor coil		<ul style="list-style-type: none"> a. The outdoor temperature sensor loose; b. The outdoor temperature sensor is failure; c. The indoor control board is failure
2	x	O	★	x	Compressor exhaust temperature sensor in trouble		<ul style="list-style-type: none"> a.the compressor exhaust temperature sensor connect loose; b.the compressor exhaust temperature sensor is failure; c.the outdoor control board is failure
5	★	O	x	x	IPM module protection		<ul style="list-style-type: none"> a.The IPM board is failure; b.The outdoor fan is broken; c.The outdoor fan motor is failure; d.The outdoor fan has been blocked ; e.The condenser is dirty; f.The outdoor unit has been installed without standard.
6	★	O	x	★	AC voltage higher or lower protection		<ul style="list-style-type: none"> a.the supply voltage is higher or lower than normal; b.the inner supply voltage of the unit is higher or lower than normal
7	★	O	★	x	Communication failure between the indoor unit and outdoor unit		<ul style="list-style-type: none"> a.the communication cable connect loose; b.the communication cable is failure; c.the connection between the filter board and the outdoor control board is incorrect or loose; d.the connection between the filter board and the terminal is incorrect or loose; e.the indoor control board is failure; f.the PFC board is failure; g.the power board is failure; h.the outdoor control board is failure.
8	★	O	★	★	Current overload protection		<ul style="list-style-type: none"> a.the fan motor run abnormally; b.the condensor and evaporator is dirty; c.the air inlet and outlet is

							abnormally
9	×	×	O	×	Maximum current protection		a. the outdoor control board is short circuit; b. the drive board is short circuit; c. the other components is short circuit
10	×	×	O	★	Communication trouble between outdoor unit and driver		a. the connection wires connect loose b. the outdoor board or drive board is failure;
11	×	★	O	×	Outdoor EEPROM in trouble		a. the EEPROM chip is loose; b. the EEPROM chip inserted with opposite direction; c. the EEPROM chip is failure
12	×	★	O	★	Outdoor ambient temperature too low protection		Outdoor ambient temperature too low
13	★	×	O	×	Compressor exhaust temperature too high protection		a. the compressor exhaust temperature sensor is failure; b. the refrigerant of the unit is not enough
14	★	×	O	★	Outdoor ambient temperature sensor in trouble		a. the outdoor ambient temperature sensor connect loose; b. the outdoor ambient temperature sensor is failure; c. the outdoor control board is failure
15	★	★	O	×	Compressor shell temperature too high protection		a. the compressor exhaust temperature sensor connect loose b. the refrigerant of the unit is not enough
16					Anti-freeze protection with cooling or overload protection with heating in		a. the indoor coil temperature sensor connect loose; b. the indoor coil temperature sensor is failure; c. the indoor control board is failure d. the refrigerant system is abnormal.

17					PFC protection		a. the PFC is failure; b. the outdoor drive board is failure
18					DC compressor start failure		a. the outdoor drive board is failure; b. the compressor is failure
19	x	x	x	O	Compressor drive in trouble		a. the outdoor drive board is failure; b. the compressor is failure c. the outdoor control board is failure
20	★	x	x	O	Outdoor fan motor locked rotor protection		a. the connection of the outdoor fan motor is loose; b. there are something block the outdoor fan; c. the fan motor is failure; d. the outdoor control board is failure
21					Outdoor coil anti-overload protection with cooling		a. the refrigerant is too much; b. the outdoor fan motor is failure; c. the outdoor fan is broken; d. the condensor is dirty; e. the air inlet and air outlet of the indoor unit and the outdoor unit is not normally
22					Compressor pre heating process		it is normal mode in cold weather
24					Chip in outdoor board in trouble		a. Using the wrong drive board; b.Using the wrong compressor.
26					Overheated outdoor radiator		a. Radiator sensor fails b. Detection circuit of the sensor on the control panel fails
27					Protection against too high system pressure		a. The pressure switch fails b. The pressure detection switch on the control panel fails c. The measured value of system pressure exceeds the limit
33	o	x	x	★	The failure for temperature sensor of indoor room		a. The indoor room temperature sensor loose; b. The indoor room temperature sensor is

							failure; c. The indoor control board is failure.
34	o	x	★	x	The failure for temperature sensor of indoor coil temperature		a. The indoor coil temperature sensor loose; b. The indoor coil temperature sensor is failure; c. The indoor control board is failure.
36	O	★	x	★	Communication failure between the indoor unit and outdoor unit		a. the communication cable connect loose; b. the communication cable is failure; c. the connection between the filter board and the outdoor control board is incorrect or loose; d. the connection between the filter board and the terminal is incorrect or loose; e. the indoor control board is failure; f. the PFC board is failure; g. the power board is failure; h. the outdoor control board is failure.
38	o	★	★	★	Indoor EEPROM failure		a. The EEPROM chip loose; b. The indoor control board is failure
39	o	x	★	★	Indoor fan motor run abnormally		a. There are something block the indoor fan motor; b. The fan motor cord connect loose; c. The fan motor is failure; d. The indoor control board is failure
41	★	★	o	★	The failure for Indoor grounding protective		The indoor control board is failure

2.2 LED display

Error code	Sleep	Timer	Running		Remark: ★Light O Flash x OFF		
	1	2	3		Content	Remark	The root cause is may be one of the following
0					Normal		

1	O	★	★		The failure for temperature sensor of outdoor coil		d. The outdoor temperature sensor loose; e. The outdoor temperature sensor is failure; f. The indoor control board is failure
2	O	★	x		Compressor exhaust temperature sensor in trouble		a.the compressor exhaust temperature sensor connect loose; b.the compressor exhaust temperature sensor is failure; c.the outdoor control board is failure
5	★	O	x		IPM module protection		a.The IPM board is failure; b.The outdoor fan is broken; c.The outdoor fan motor is failure; d.The outdoor fan has been blocked ; e.The condenser is dirty; f.The outdoor unit has been installed without standard.
6	x	O	x		AC voltage higher or lower protection		a.the supply voltage is higher or lower than normal; b.the inner supply voltage of the unit is higher or lower than normal
7	★	★	x		Communication failure between the indoor unit and outdoor unit		a.the communication cable connect loose; b.the communication cable is failure; c.the connection between the filter board and the outdoor control board is incorrect or loose; d.the connection between the filter board and the terminal is incorrect or loose; e.the indoor control board is failure; f.the PFC board is failure; g.the power board is failure; h.the outdoor control board is failure.
8					Current overload protection		a.the fan motor run abnormally; b.the condensor and evaporator is dirty; c.the air inlet and outlet is abnormally
9					Maximum current protection		a.the outdoor control board is short circuit; b.the drive board is short circuit; c.the other components is short

						circuit
10	★	x	x		Communication trouble between outdoor unit and driver	a. the connection wires connect loose b. the outdoor board or drive board is failure;
11	O	x	x		Outdoor EEPROM in trouble	a. the EEPROM chip is loose; b. the EEPROM chip inserted with opposite direction; c. the EEPROM chip is failure
12					Outdoor ambient temperature too low protection	Outdoor ambient temperature too low
13	O	x	★		Compressor exhaust temperature too high protection	a. the compressor exhaust temperature sensor is failure; b. the refrigerant of the unit is not enough
14	★	★	O		Outdoor ambient temperature sensor in trouble	a. the outdoor ambient temperature sensor connect loose; b. the outdoor ambient temperature sensor is failure; c. the outdoor control board is failure
15	x	O	★		Compressor shell temperature too high protection	a. the compressor exhaust temperature sensor connect loose b. the refrigerant of the unit is not enough
16	★	x	★		Anti-freeze protection with cooling or overload protection with heating in	a. the indoor coil temperature sensor connect loose; b. the indoor coil temperature sensor is failure; c. the indoor control board is failure d. the refrigerant system is abnormal.
17	x	★	x		PFC protection	a. the PFC is failure; b. the outdoor drive board is failure
18	x	★	★		DC compressor start failure	a. the outdoor drive board is failure; b. the compressor is failure

19	x	★	O		Compressor drive in trouble		a. the outdoor drive board is failure; b. the compressor is failure c. the outdoor control board is failure
20	★	x	O		Outdoor fan motor locked rotor protection		a. the connection of the outdoor fan motor is loose; b. there are something block the outdoor fan; c. the fan motor is failure; d. the outdoor control board is failure
21	x	x	O		Outdoor coil anti-overload protection with cooling		a. the refrigerant is too much; b. the outdoor fan motor is failure; c. the outdoor fan is broken; d. the condensor is dirty; e. the air inlet and air outlet of the indoor unit and the outdoor unit is not normally
22					Compressor pre heating process		it is normal mode in cold weather
24					Chip in outdoor board in trouble		a. Using the wrong drive board; b.Using the wrong compressor.
26					Overheated outdoor radiator		a. Radiator sensor fails b. Detection circuit of the sensor on the control panel fails
27					Protection against too high system pressure		a. The pressure switch fails b. The pressure detection switch on the control panel fails c. The measured value of system pressure exceeds the limit
33	★	O	O		The failure for temperature sensor of indoor room		d. The indoor room temperature sensor loose; e. The indoor room temperature sensor is failure; f. The indoor control board is failure.
34	x	O	O		The failure for temperature sensor of indoor coil temperature		d. The indoor coil temperature sensor loose; e. The indoor coil temperature sensor is failure; f. The indoor control board is failure.
36	O	★	O		Communication failure between		a. the communication cable connect loose;

					the indoor unit and outdoor unit		b. the communication cable is failure; c. the connection between the filter board and the outdoor control board is incorrect or loose; d. the connection between the filter board and the terminal is incorrect or loose; e. the indoor control board is failure; f. the PFC board is failure; g. the power board is failure; h. the outdoor control board is failure.
38	O	O	x		Indoor EEPROM failure		c. The EEPROM chip loose; d. The indoor control board is failure
39	O	O	★		Indoor fan motor run abnormally		b. There are something block the indoor fan motor; b. The fan motor cord connect loose; c. The fan motor is failure; d. The indoor control board is failure
41	x	x	★		The failure for Indoor grounding protective		The indoor control board is failure

The failure is detected when the room temperature sensor broken or shorted over 5 sec.

The failure is detected when the temperature sensor of heater exchange broken or shorted over 5 sec.

The failure is detected when each setting data is not match after the EEPROM self-check two times.

The failure is occur when the grounding signal is not detected after the appliance power ON.

7-2. Test the jumper terminals

Note:

When the whole machine is powered up, if the external unit does not work, to rule out the communications failures, adopt screening method such as short circuit on the jumper terminals to see if the external unit can be started normally or similar method.



There are two blue terminals on the outdoor control panel, as shown above.

Application: Short out the terminals, and power up the outdoor unit, then the outdoor unit may run independently. It can be determined that there is no internal and external communication faults.

When the environment temperature is lower than 18°C, you can't run the unit under the cool mode, but if you need run the unit at this moment, such as add the gas or do mose test, at this moment you can use this function,

Under this function, the outdoor motor and compressor will be forced to run until reaching a fixed frequency (general is 50~55Hz).

7-3. Trouble Diagnosis of Protection

Protection diagnosis of the complete machine (all types of protection during operation, i.e. under-voltage, over-voltage and overcurrent protection)

Note:List all types of protection that may occur to the complete machine and describe the conditions and signs of the start, course and end of such protection.

Voltage protection

Protection against AC input over-voltage/under-voltage

1.Conditions for protection against AC input over-voltage/under-voltage:

If the input AC voltage is greater than “protective over-voltage value” or less than “protective under-voltage value” for five seconds, over-voltage/under-voltage protection starts.

2.Protection actions against AC input over-voltage/under-voltage

The system stops operation.

3. Conditions for ending AC input over-voltage/under-voltage:

If the input AC voltage is lower than “the protective over-voltage value” -10V, or higher than “the protective under-voltage value” +10V, the over-voltage/under-voltage protection will be released.

Current protection:

1.Protection against over-current

Conditions for over-current protection: if the current is equal to or greater than “current value for starting the refrigeration current protection (E2 value)” for six seconds, over-current protection starts.

Protection actions against over-current: indoor display screen and outdoor indicator give indications, the

compressor and outdoor fan stop, but indoor fan runs normally.

Condition for ending over-current protection: when the current drops below “current value for releasing the refrigeration current protection (E2 value)”, over-current protection will be released.

2.Frequency decreasing for over-current

Conditions for over-current **frequency decreasing**: if the current is equal to or greater than “current value for starting the refrigeration current protective frequency decreasing (E2 value)”, over-current **frequency decreasing** starts.

Over-current **frequency decreasing** actions: the compressor will decrease frequency at rate of (E2 value)Hz/S. The indoor and outdoor fans run.

Conditions for ending over-current **frequency decreasing**: when the current drops below “current value for starting the refrigeration current protective prohibition of frequency rising (E2 value)”, over-current under-clocking will be released.

3.Prohibition of frequency increasing of compressor exhausting

Conditions for prohibition of frequency rising of compressor discharge

Condition 1: in the case of frequency decreasing of compressor discharge, the discharge temperature of the compressor drops below X4°C.

Condition 2: in normal operation, the discharge temperature of compressor reaches X5°C.

Either of the above two conditions is met, prohibition of frequency rising of compressor discharge begins.

Actions relates to prohibition of frequency rising of compressor discharge: the frequency of compressor maintains at the current level, which may decrease as the case requires while cannot rise. The indoor and outdoor fans run.

Condition for ending prohibition of frequency rising of compressor discharge: if the temperature of compressor discharge drops below X6°C, prohibition of frequency rising of compressor discharge will be released.

4. Prohibition of frequency for anti-overload of outdoor coiled pipe

Condition for anti-overload prohibition of frequency of outdoor coiled pipe: in the case of anti-overload frequency decreasing of outdoor coiled pipe, anti-overload prohibition of frequency of the unit begins when the temperature of outdoor coiled pipe drops below “the anti-overload frequency decreasing temperature of outdoor coiled pipe”.

Actions relates to anti-overload prohibition of frequency of outdoor coiled pipe: the frequency of compressor maintains at the current level, which may decrease as the case requires while cannot rise. The indoor and outdoor fans run.

Condition for ending anti-overload prohibition of frequency of outdoor coiled pipe: if the temperature of outdoor coiled pipe drops below “temperature to release the anti-overload state of outdoor coiled pipe”, anti-overload prohibition of frequency of outdoor coiled pipe will be released.

7-4. Trouble Diagnosis of Compressor

Judging the connecting terminals of inverter compressor:

It is impossible to identify terminals U, V and W of inverter compressor with multi-meter. Just connect the terminals in the same way as the original unit when replacing the compressor. A wrong connection will lead to reverse and loud noise of the compressor.

Resistance of compressor coil:

Measure the resistance between any two terminals, which are about a few Ohms, three phases having the same resistance.

7-5. Trouble Diagnosis of Electric Filter Board

Visual examination: as the circuit is simple, the connection may be checked visually to see whether any loose or poor connection.

Voltage test: the voltage at the input end shall be the same as the voltage at the output end.

7-6. Trouble Diagnosis of Electric Communication

Step one: to determine whether the connecting cables and tether cables of indoor/outdoor units are correctly wired. If not, change wiring order and test connection.

Step two: to determine whether there is loose connection.

Fasten the connection in the case of loose connection and then conduct verification.

Step three: measure the voltage between SI and N with multi-meter and see whether the voltage fluctuates between 0V and 24V. Please directly replace indoor and outdoor control boards if there are not voltage fluctuations.